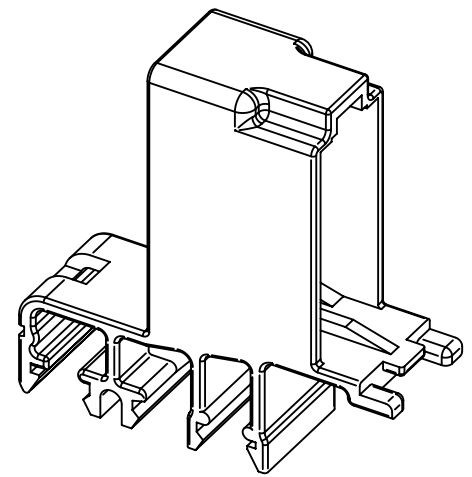
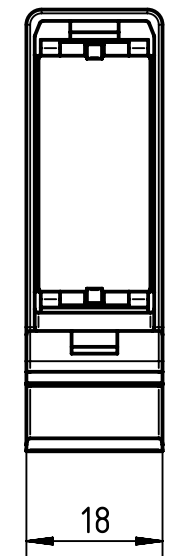
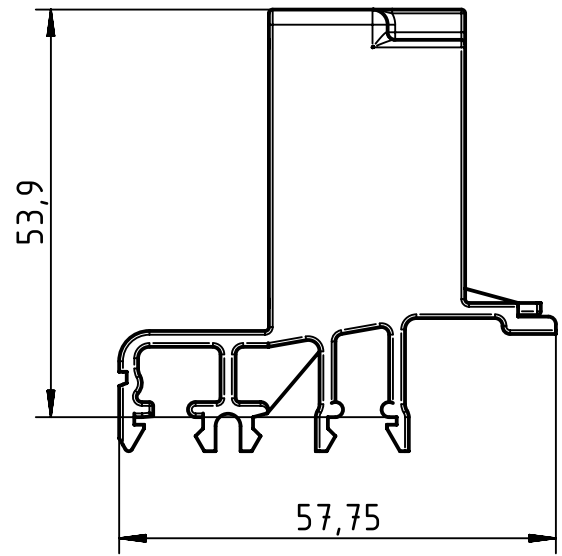


A


B

C

D



useable for all electrical Han-Modular® single modules
 on rail DIN EN 60 715-35 x 7.5 with 1 mm thickness
 or rail DIN EN 60 715-35 x 15 with 1.5 mm thickness

	All Dimensions in mm Original Size DIN A4	Scale	Free size tol.		Ref.	
		1:1			Sub.	
	All rights reserved	Created by	Inspected by	Standardisation	Date	State
	Department EL PD - DE	MOELLERLI	GRIEPENSTROH	SCHMIDTM	2013-12-18	Final Release
HARTING Electric GmbH & Co. KG D-32339 Espelkamp		Title Module clamp for rail (2pcs / PU)			Doc-Key / ECM-Nr. 100086566/UGD/005/A 500000069803	
		Type	Number		Rev.	Page
		TB	09 14 000 0303		A	1/1