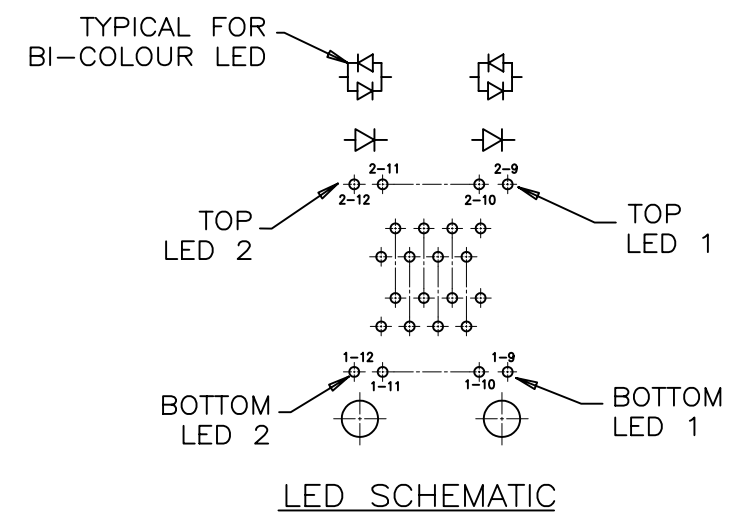
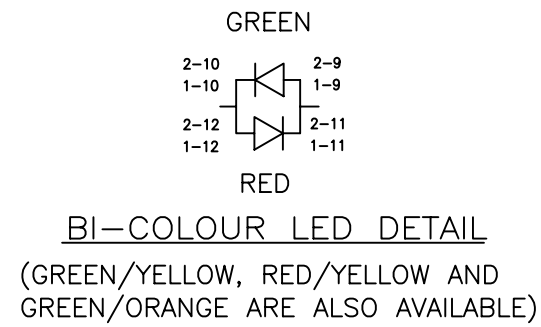
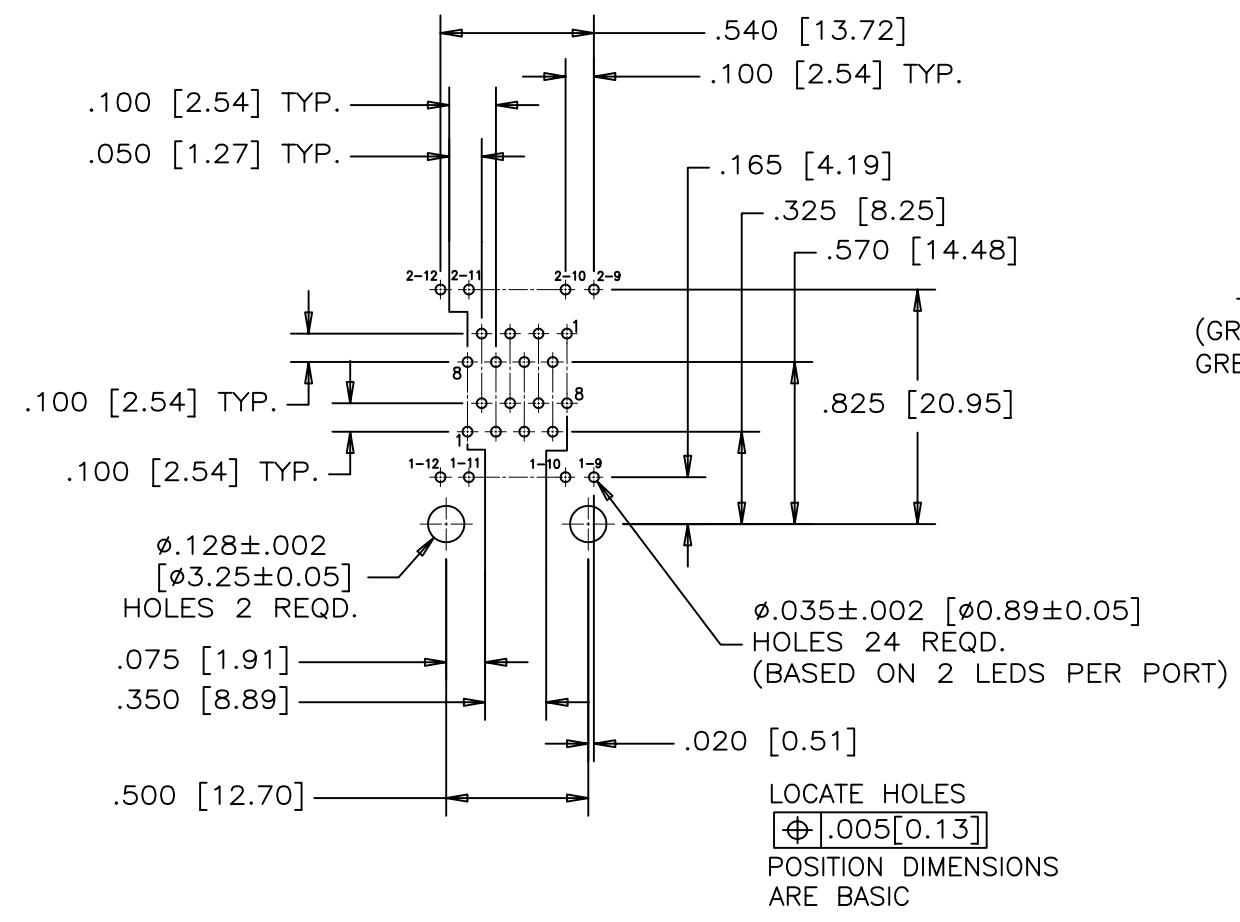
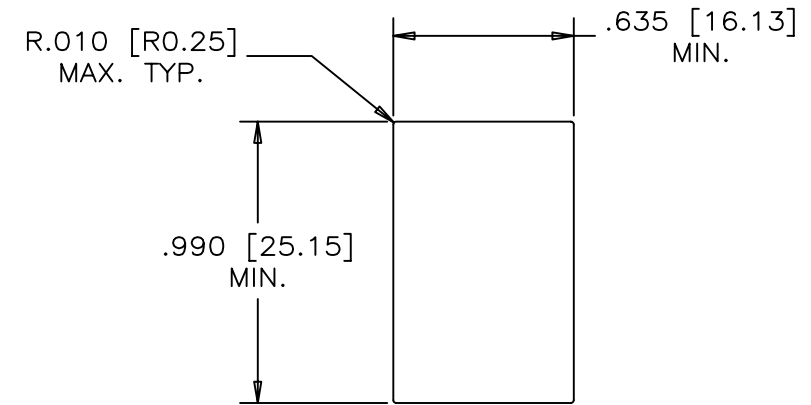
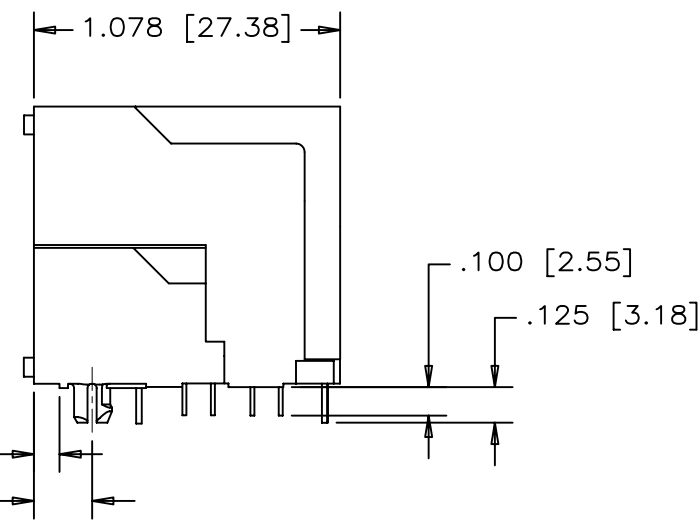
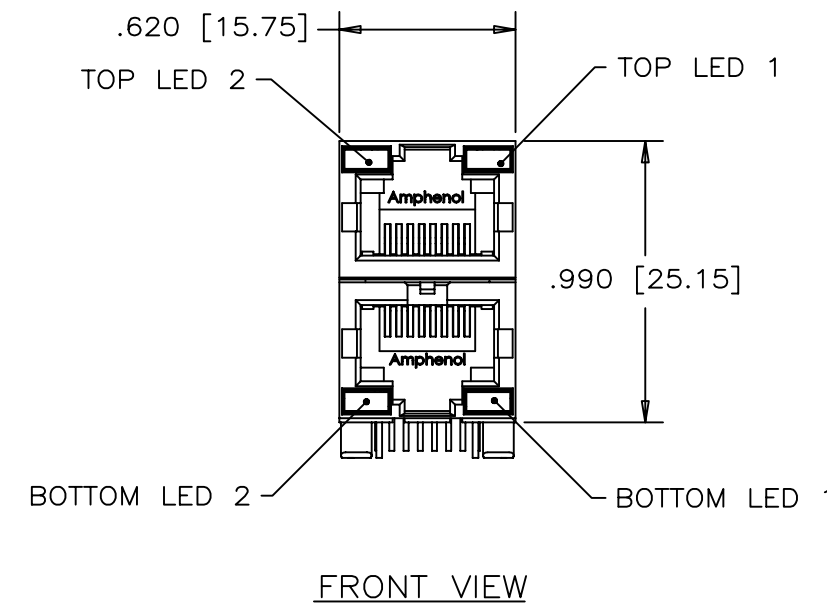


| REVISIONS | | | | |
|-----------|------|--------------|----------|--------|
| SYM | ZONE | ECN, ERN NO. | DATE | APPRD. |
| A | | PROPOSAL | 05/06/24 | |



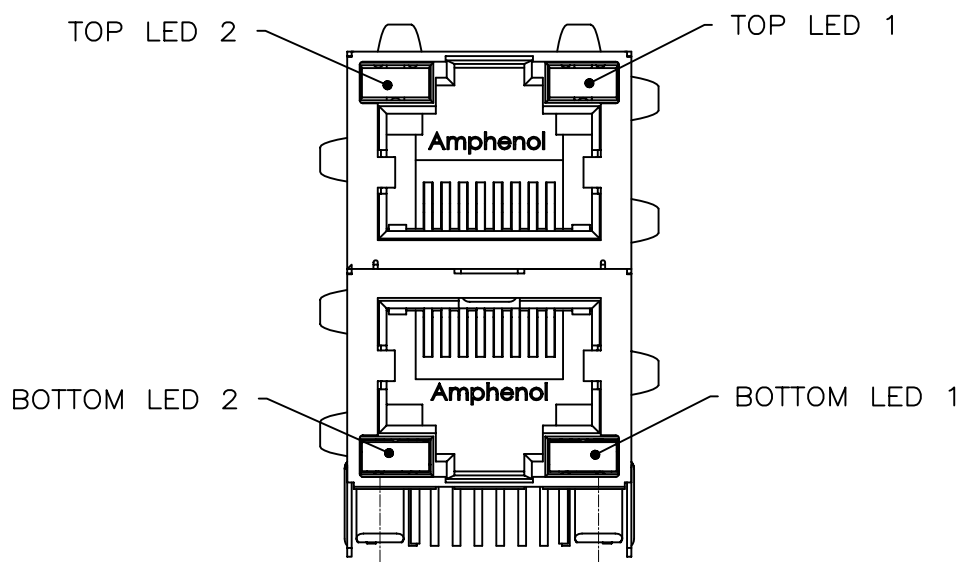
MATERIALS:
HOUSING: HIGH TEMPERATURE ENGINEERING THERMOPLASTIC.
 FLAMMABILITY RATING UL 94V-0
CONTACTS: PHOSPHOR BRONZE
 PLATING: 50µ" [1.27 MICRONS] MIN. GOLD OVER MATING SURFACES.
 50µ" [1.27 MICRONS] MIN. NICKEL UNDERPLATE.
 100µ" MIN. MATTE TIN ON CONTACT AILS.

PART NUMBER: RJSAE-508X-02X
 REFER TO LED OPTIONS DRAWING FOR ORDERING CODES

| | | | | |
|-------------------------------|--------------------|--|------------------|--------------|
| DRAWN PWANG | DATE 05/06/24 | Amphenol Canada Corp. | | |
| DESIGNED | | | | |
| CHECKED L.CHAN | DATE 05/06/24 | TITLE 2x1 STACKABLE MODULAR JACK | | |
| I. E. APPRD. | | 8 POSITION, 8 CONTACTS, 2-PIECE CONSTRUCTION, WITHOUT SHIELD, WITH LED OPTIONS | | |
| Q. A. APPRD. | | - RoHS COMPLIANT | | |
| DWG. APPRD. | | DWG | DRAWING NO. | REV. |
| ENG. REL. NO. | | | P-RJSAE-508X-02X | A |
| REF. EAR# 12741 | | SCALE | WT. ----- | SURF. ----- |
| DIMENSIONS ARE IN INCHES [mm] | CODE ID. NO. 03554 | | | SHEET 1 OF 1 |

THIS DOCUMENT CONTAINS PROPRIETARY INFORMATION AND SUCH INFORMATION MAY NOT BE DISCLOSED TO OTHERS FOR ANY PURPOSE OR USED FOR MANUFACTURING PURPOSES WITHOUT WRITTEN PERMISSION FROM AMPHENOL CANADA CORP.

| REVISIONS | | | | |
|-----------|------|--------------|----------|--------|
| SYM | ZONE | ECN, ERN NO. | DATE | APPRD. |
| A | | PROPOSAL | 05/04/28 | |

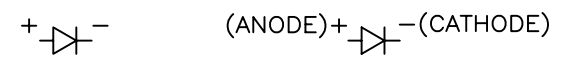


TYPICAL FOR TWO & MULTI-PORT

LED SPECIFICATIONS:
 FORWARD VOLTAGE: 2.1 VOLTS TYP.
 REVERSE VOLTAGE: 5.0 VOLTS MIN.
 LUMINOUS INTENSITY: 0.5 mCd MIN.
 (AT If=2mA)
 STORAGE TEMPERATURE: -20° TO 85° C
 LEAD SOLDERING TEMPERATURE: 260° C
 (5 SEC, 1/16" FROM CASE)
 PLATING ON TAILS: TIN PLATED

EXAMPLE:

PART NUMBER RJSAE-528X



LED COLOR CODE

EXAMPLE:

PART NUMBER RJSAE-538U-08-XX

BOTTOM ASSY LED (SAME AS STD CODE)

TOP ASSY LED (SAME AS STD CODE)

PRIMARY COLOR FOR BI-COLOR
 LEDS IN STANDARD ANODE/
 CATHODE CONFIGURATION IS:
 RED-GREEN= RED
 RED-YELLOW= RED
 GREEN-YELLOW= GREEN
 GREEN-ORANGE= GREEN

| CODE | LED 2 (LEFT) | LED 1 (RIGHT) | CODE | LED 2 (LEFT) | LED 1 (RIGHT) | CODE | LED 2 (LEFT) | LED 1 (RIGHT) |
|------|--------------|---------------|------|--------------|---------------|------|--|---------------|
| 0 | BLOCKED | BLOCKED | 9 | GREEN | BLOCKED | J | BiC RD/GR | YELLOW |
| 1 | YELLOW | GREEN | A | BiC GR/YE | BiC GR/YE | K | YELLOW | BiC GR/OR |
| 2 | BLOCKED | GREEN | B | BiC RD/GR | BiC RD/GR | L | BiC GR/YE | RED |
| 3 | YELLOW | BLOCKED | C | BiC RD/GR | BiC GR/YE | M | RED | YELLOW |
| 4 | GREEN | YELLOW | D | GREEN | BiC GR/YE | N | BiC GR/RD | BiC GR/YE |
| 5 | GREEN | GREEN | E | YELLOW | BiC GR/YE | P | GREEN | BiC RD/GR |
| 6 | YELLOW | YELLOW | F | BiC GR/YE | YELLOW | R | BiC GR/OR | GREEN |
| 7 | RED | GREEN | G | BiC GR/OR | BiC GR/OR | T | RED | RED |
| 8 | GREEN | RED | H | BiC GR/YE | GREEN | V | BiC RD/GR | GREEN |
| | | | | | | W | ADDITIONAL OPTIONS | |
| | | | | | | U | SPECIAL CODE FOR TOP & BOTTOM LEDS CONFIGURATION | |

EXAMPLE OF ADDITIONAL LED OPTIONS:

PART NUMBER RJSAE-528X-A2X

ADDITIONAL LED COLOR CODE

↑ DENOTES ADDITIONAL LED OPTIONS TO BE USED

LEGEND

BiC=BI-COLOR LED
 LOWC=LOW CURRENT LED
 YE=YELLOW
 GR=GREEN
 RD=RED
 OR=ORANGE

NOTE:

THE TWO DIGITS PRECEDING THE ADDITIONAL LED CODE MUST BE USED IN THE PART NUMBER, WHEN ORDERING ANY OF THE ADDITIONAL LED OPTIONS.

| CODE | LED 2 (LEFT) | LED 1 (RIGHT) | CODE | LED 2 (LEFT) | LED 1 (RIGHT) | CODE | LED 2 (LEFT) | LED 1 (RIGHT) |
|------|--------------|---------------|------|--------------|---------------|------|--------------|---------------|
| 0 | DO NOT USE | | 5 | BLOCKED | YELLOW | A | LOWC YE | LOWC YE |
| 1 | RED | BLOCKED | 6 | RED | BiC RD/GR | B | LOWC YE | LOWC GR |
| 2 | BiC GR/OR | YELLOW | 7 | | | C | LOWC GR | LOWC YE |
| 3 | YELLOW | RED | 8 | BiC RD/GR | BLOCKED | D | LOWC GR | LOWC GR |
| 4 | BLOCKED | RED | 9 | BiC GR/YE | BLOCKED | M | LOWC RD | LOWC YE |
| | | | | | | N | GEEEN | BiC GR/OR |

| | | | | | |
|-------------------------------|--------------------|--|--------------|-------------|--------------|
| DRAWN PAUL WANG | DATE 05/04/28 | Amphenol Canada Corp. | | | |
| DESIGNED | | | | | |
| CHECKED | | TITLE LED OPTIONS FOR RJSAE, MULTI-PORT CONNECTORS | | | |
| I. E. APPRD. | | | | | |
| Q. A. APPRD. | | | | | |
| DWG. APPRD. | | | | | |
| ENG. REL. NO. | | DWG | DRAWING NO. | REV. | |
| REF. | | | P-RJSAE-LEDS | A | |
| DIMENSIONS ARE IN INCHES [mm] | CODE ID. NO. 03554 | SCALE | WT. ----- | SURF. ----- | SHEET 1 OF 1 |

THIS DOCUMENT CONTAINS PROPRIETARY INFORMATION AND SUCH INFORMATION MAY NOT BE DISCLOSED TO OTHERS FOR ANY PURPOSE OR USED FOR MANUFACTURING PURPOSES WITHOUT WRITTEN PERMISSION FROM AMPHENOL CANADA CORP.