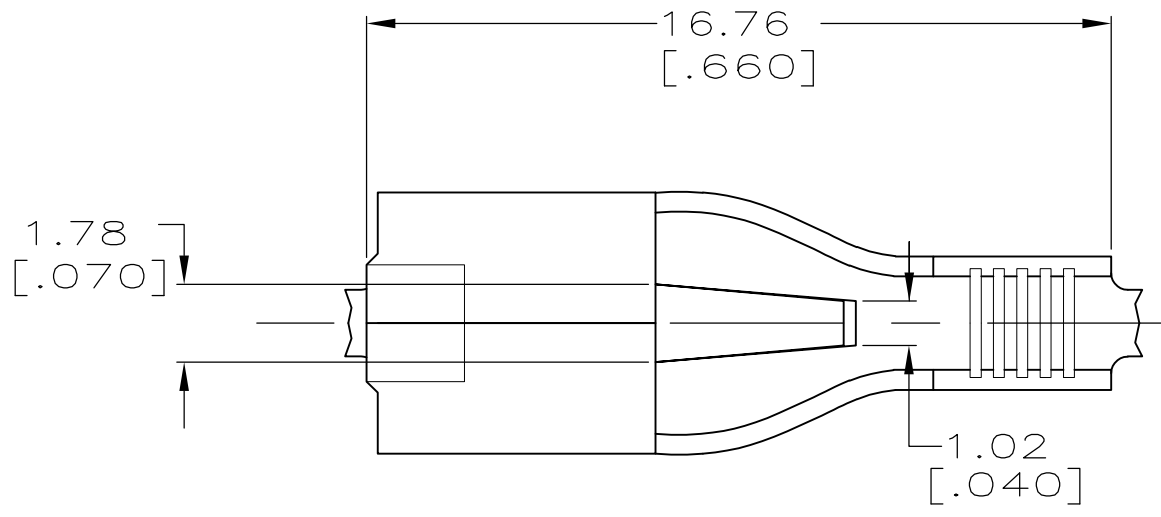
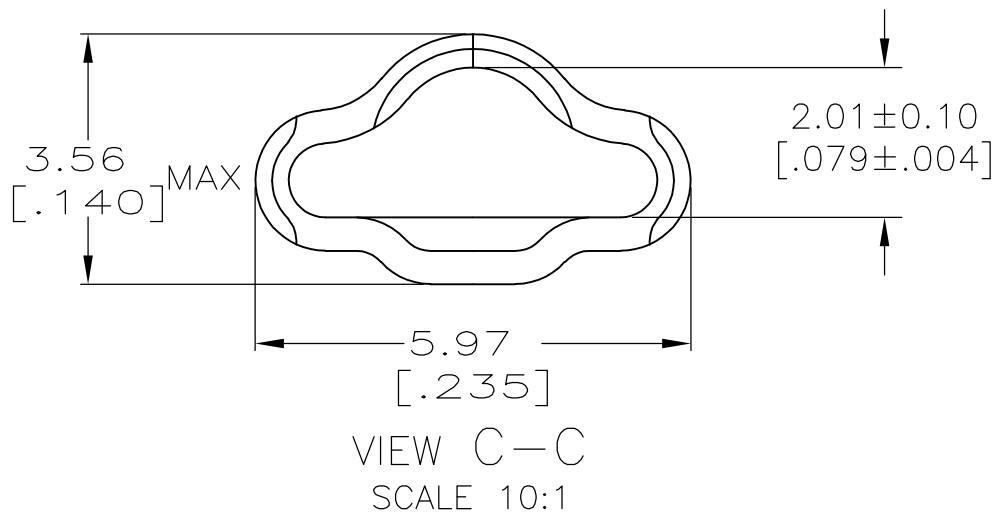
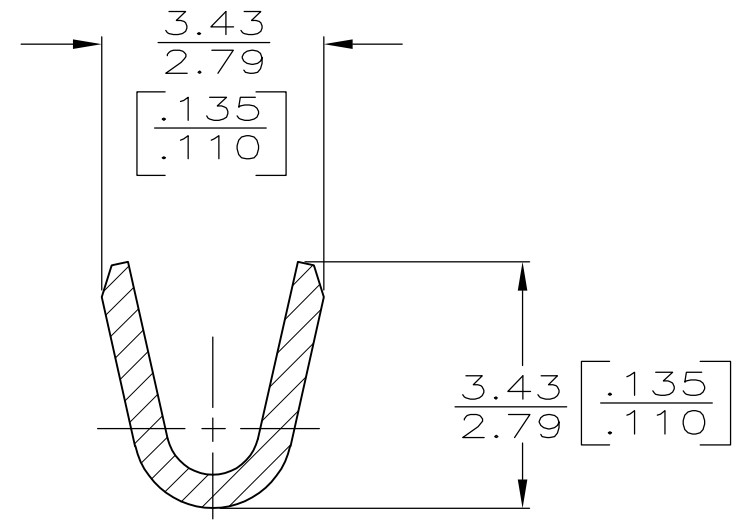
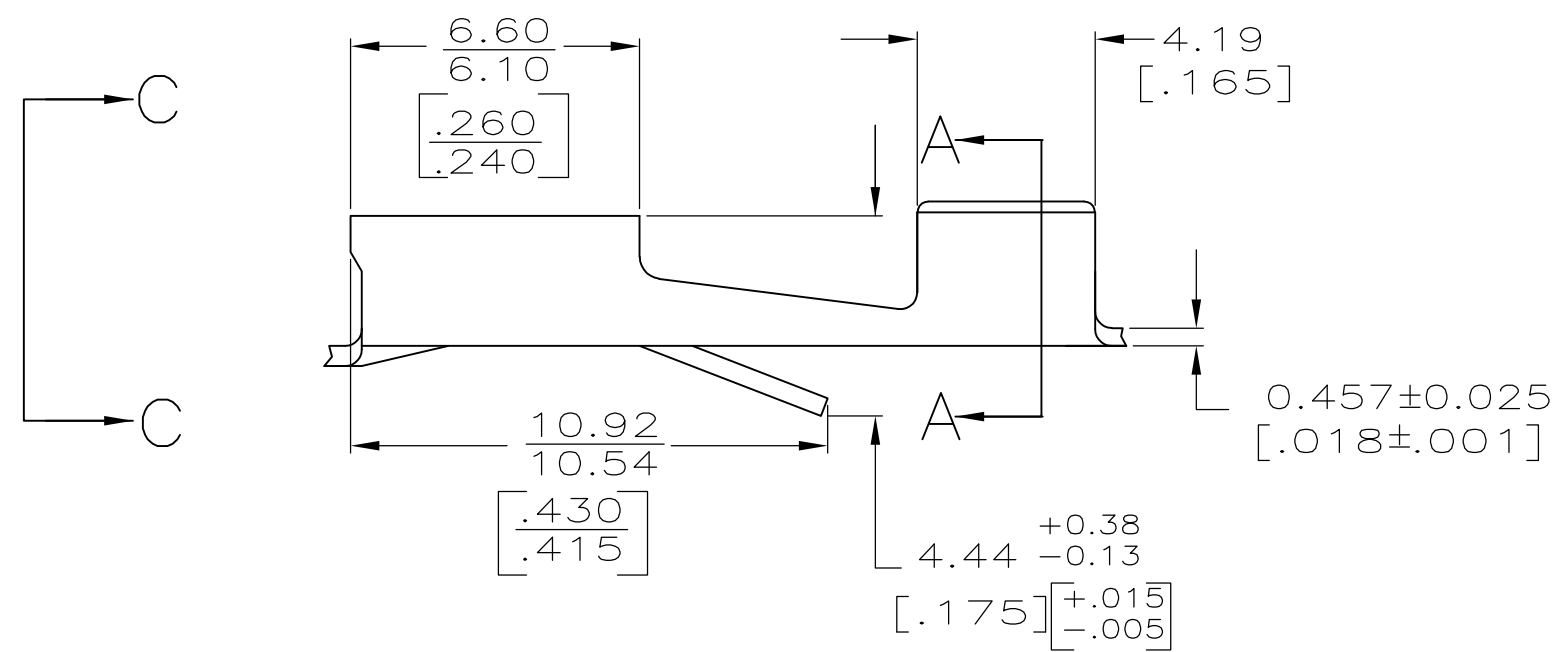


THIS DRAWING IS UNPUBLISHED. RELEASED FOR PUBLICATION
 © COPYRIGHT BY TYCO ELECTRONICS CORPORATION. ALL INTERNATIONAL RIGHTS RESERVED.

LOC	DIST	REVISIONS			
P	LTR	DESCRIPTION	DATE	DWN	APVD
AF	50	S1	REVISED PER ECR-09-014908	15JUL09	HMR DD



- 1 CONTINUOUS STRIP ON REEL.
- 2 PRELIMINARY - NOT FOR PRODUCTION



[21-16] AWG MAGNET WIRE	BERYLLIUM COPPER H03 PHOS BRONZE	60177-4 60177-2
WIRE RANGE	MATERIAL	PART NO
DWN PHIL FORTNEY 9/8/93	Tyco Electronics Corporation Harrisburg, PA 17105-3608	
CHK JEFF RUTH 9/8/93	NAME	
APVD GARY YETTER 9/8/93	PIN RECEPTACLE, 2.29 [.090] DIA	
PRODUCT SPEC	SIZE	CAGE CODE
APPLICATION SPEC	A3	00779
WEIGHT	DRAWING NO	RESTRICTED TO
SEE TABLE	C-60177	—
CUSTOMER DRAWING		SCALE 6:1
0.002032 [.000080] MIN TIN PL		SHEET 1 OF 1
		REV S1

THIS DRAWING IS A CONTROLLED DOCUMENT.	
DIMENSIONS: mm [INCHES]	TOLERANCES UNLESS OTHERWISE SPECIFIED:
	0 PLC ± -
	1 PLC ± -
	2 PLC ± 0.25 [.010]
	3 PLC ± -
	4 PLC ± -
	ANGLES ± -
MATERIAL	FINISH
SEE TABLE	0.002032 [.000080] MIN TIN PL