

Apr.1.2017 Copyright 2017 HIROSE ELECTRIC CO., LTD. All Rights Reserved.

COUNT	DESCRIPTION OF REVISIONS	BY	CHKD	DATE	COUNT	DESCRIPTION OF REVISIONS	BY	CHKD	DATE
△					△				
△					△				
△					△				

① RECOMMENDED PC BOARD PATTERN
(MOUNTING SIDE)

* TH: THROUGH-HOLE

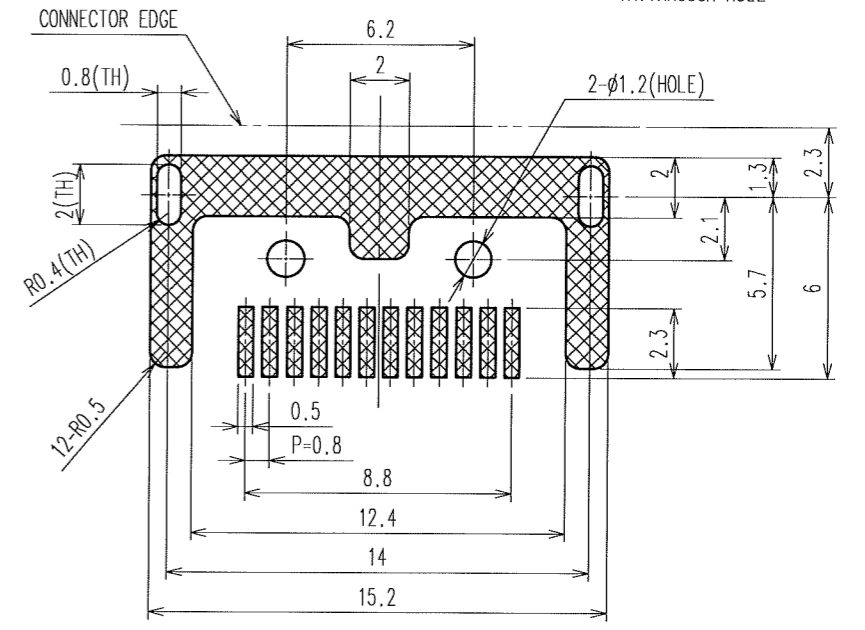
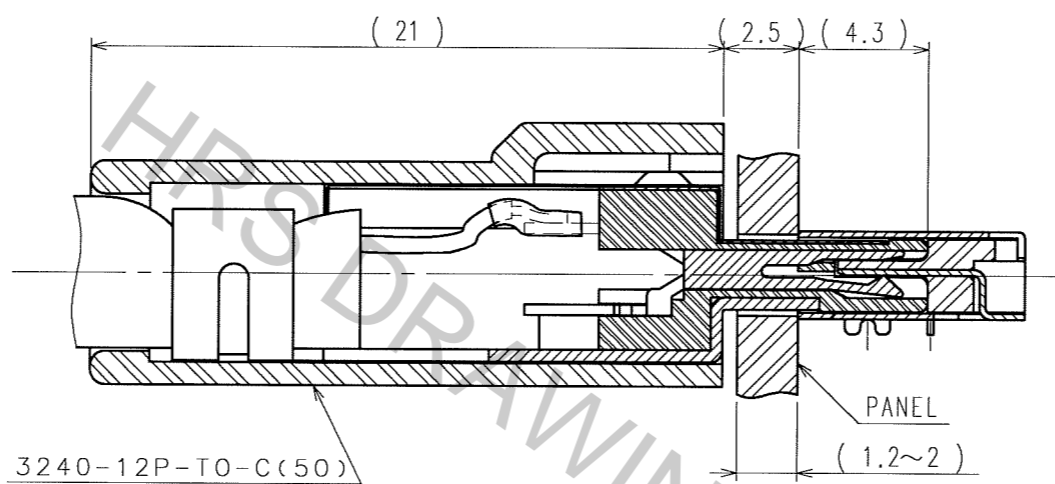
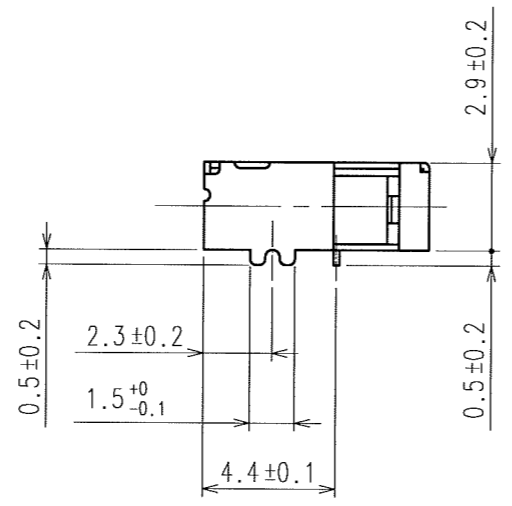
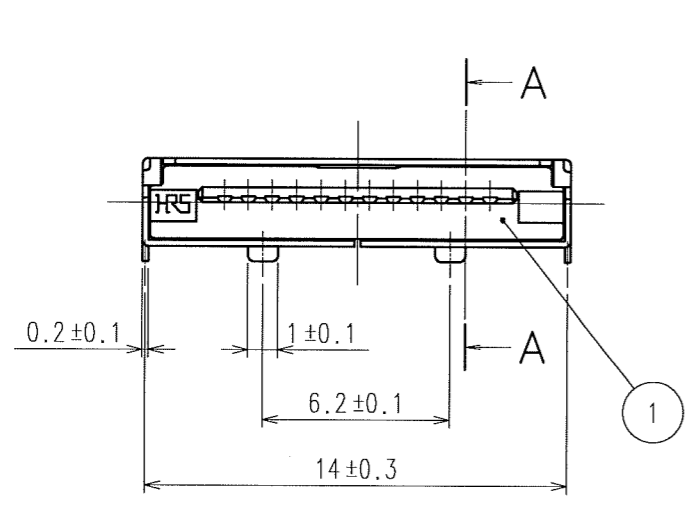
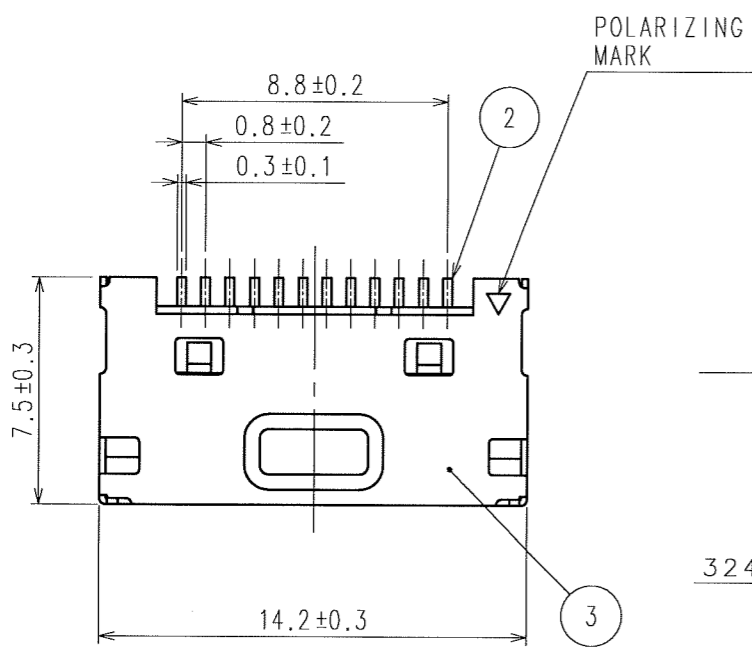
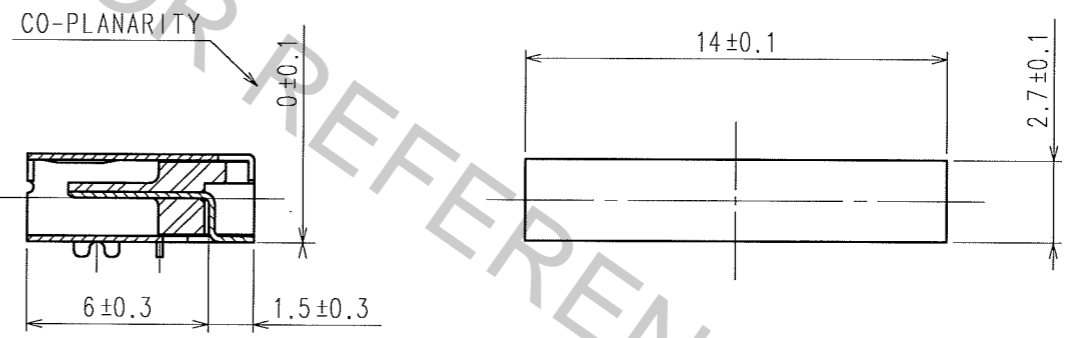


FIGURE OF MATING



PANEL CUTOUT



- NOTE ① ALL DIMENSIONS WITHOUT TOLERANCE ARE DIMENSIONS FOR REFERENCE.
- ② PLATING
CONTACT AREA GOLD 0.2μ m min.
LEAD AREA GOLD 0.03μ m min.
UNDER PLATING NICKEL 2μ m min.
- ③ PLATING
TOP AREA (OUT-SIDE ONLY) GOLD 0.03μ m min.
UNDER PLATING NICKEL 0.2μ m min.

NO.	MATERIAL	FINISH, REMARKS	NO.	MATERIAL	FINISH, REMARKS
5	PET		5	PET	
2	PHOSPHOR BRONZE	②	4	PS	
1	PPS	(BLACK) UL94V-0	3	STAINLESS STEEL	③

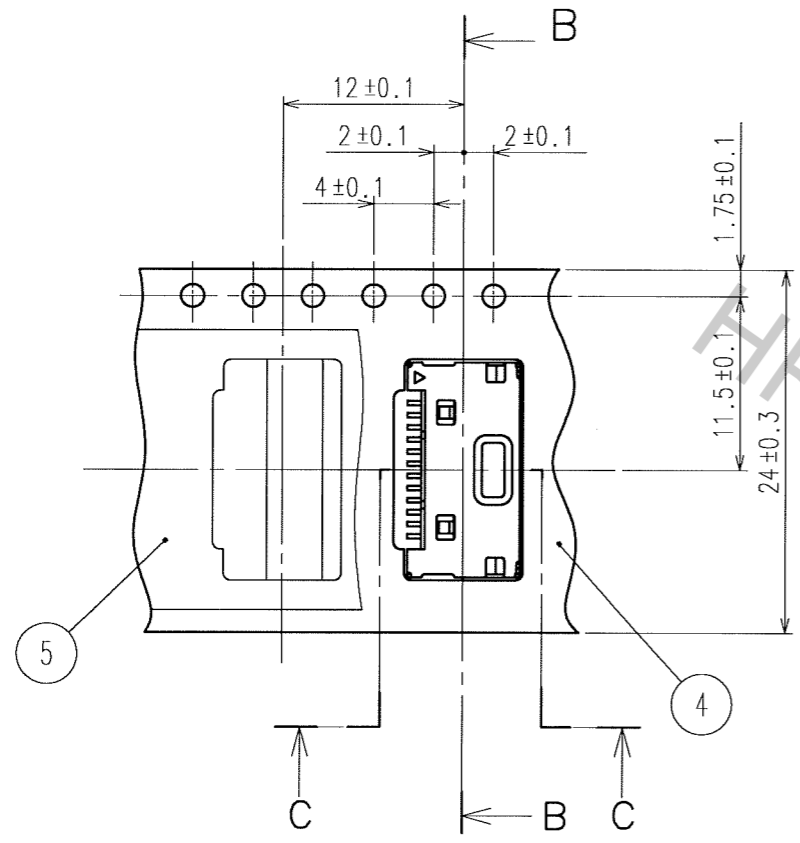
CODE NO. (OLD)	DRAWN	DESIGNED	CHECKED	APPROVED	RELEASED
	E. Wakikawa	T. Kikuchi	N. Miyazaki		
	'06.12.13	'06.12.13	'06.12.13	'06.12.13	

SCALE 4 : 1	DRAWING NO. EDC3-120857-02	PART NO. 3260B-12S1(55)
UNITS mm	HRS HIROSE ELECTRIC CO., LTD	CODE NO. CL232-0089-5-55

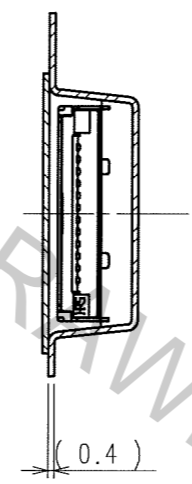
TO

Apr.1.2017 Copyright 2017 HIROSE ELECTRIC CO., LTD. All Rights Reserved.

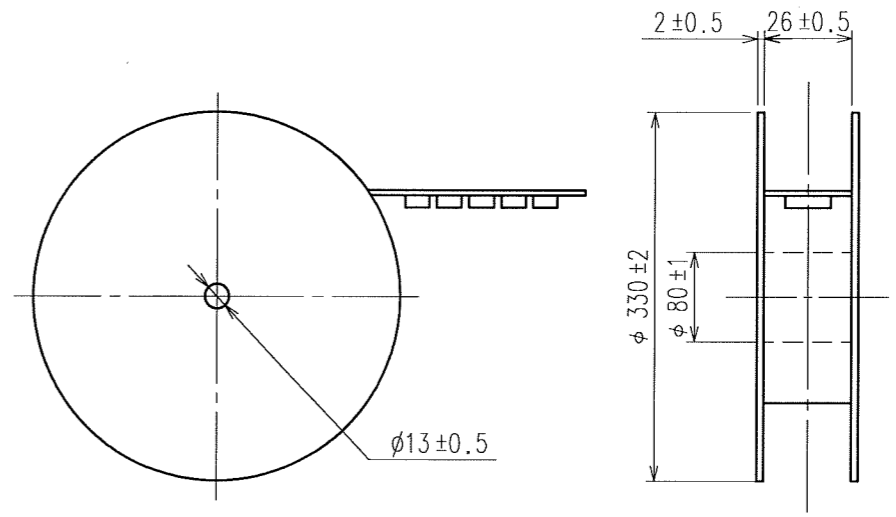
5	6	7	8						
COUNT	DESCRIPTION OF REVISIONS	BY	CHKD	DATE	COUNT	DESCRIPTION OF REVISIONS	BY	CHKD	DATE
△					△				
△					△				
△					△				



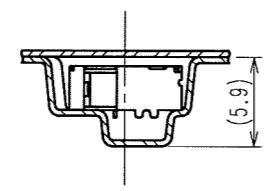
B-B



STYLE AND DIMENTION OF REEL (FREE)



C-C



DIRECTION OF UNREELING
→

NOTE 4. 1000 PIECES PER REEL.

TO

NO.	MATERIAL	FINISH, REMARKS	NO.	MATERIAL	FINISH, REMARKS
CODE NO. (OLD)			DRAWN	DESIGNED	CHECKED
			<i>E. Wakikawa</i>	<i>H. Kachi</i>	<i>N. Miyajima</i>
			06.12.13	06.12.13	06.12.13
			APPROVED	RELEASED	
			<i>[Signature]</i>		
			06.12.13		
DRAWING NO.			PART NO.		
EDC3-120857-02			3260B-12S1(55)		
SCALE			CODE NO.		
2 : 1			CL232-0089-5-55		
UNITS			2/2		
mm			HRS HIROSE ELECTRIC CO., LTD		