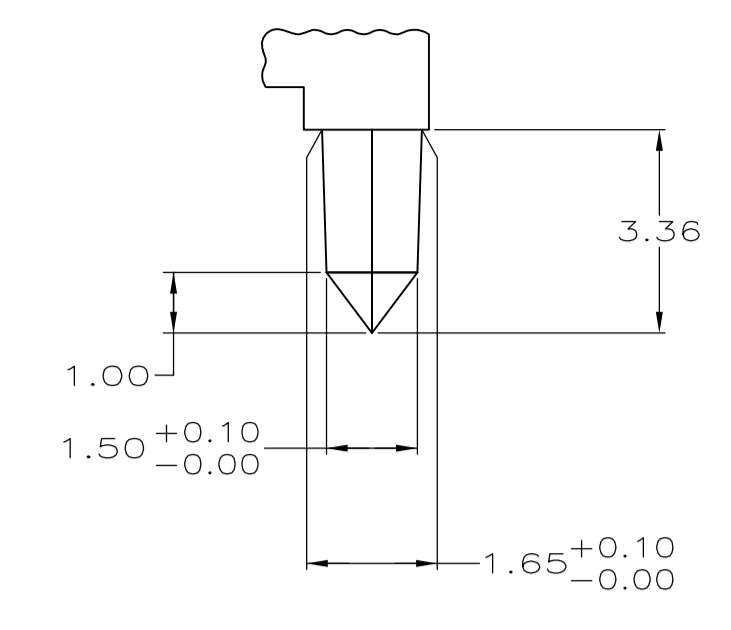
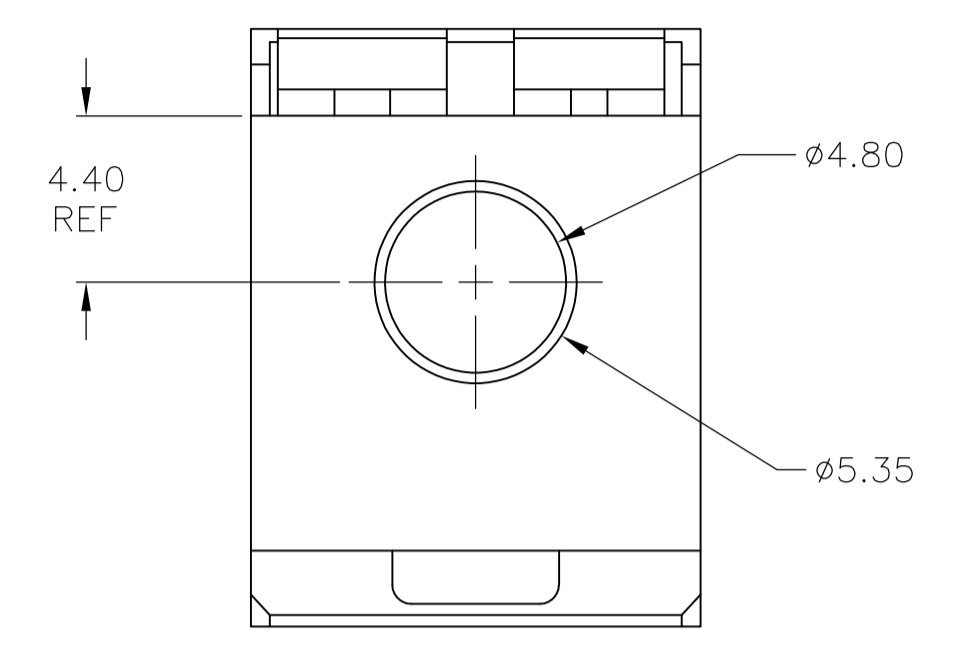
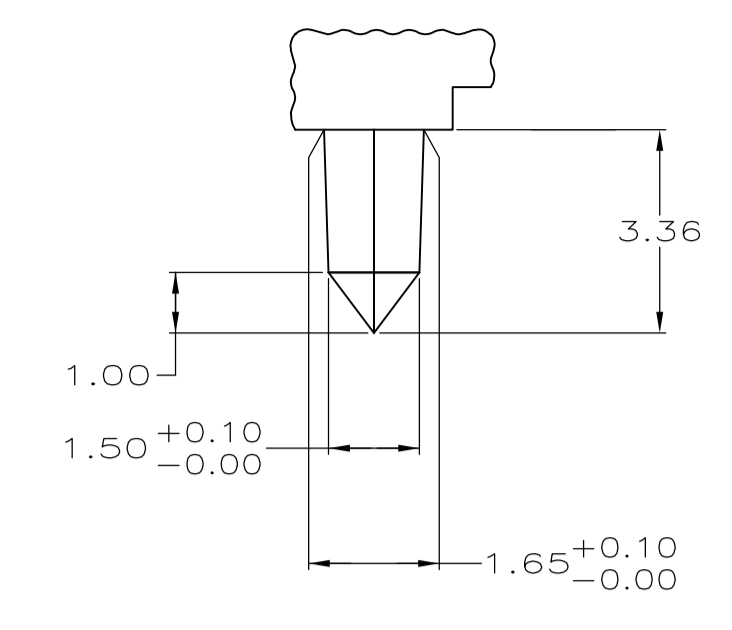


LOC		DIST		REVISIONS			
P	LTR	DESCRIPTION	DATE	DN	APVD		
01		REVISED PER ECO-07-009093	02MAY07	DKH	AMS		

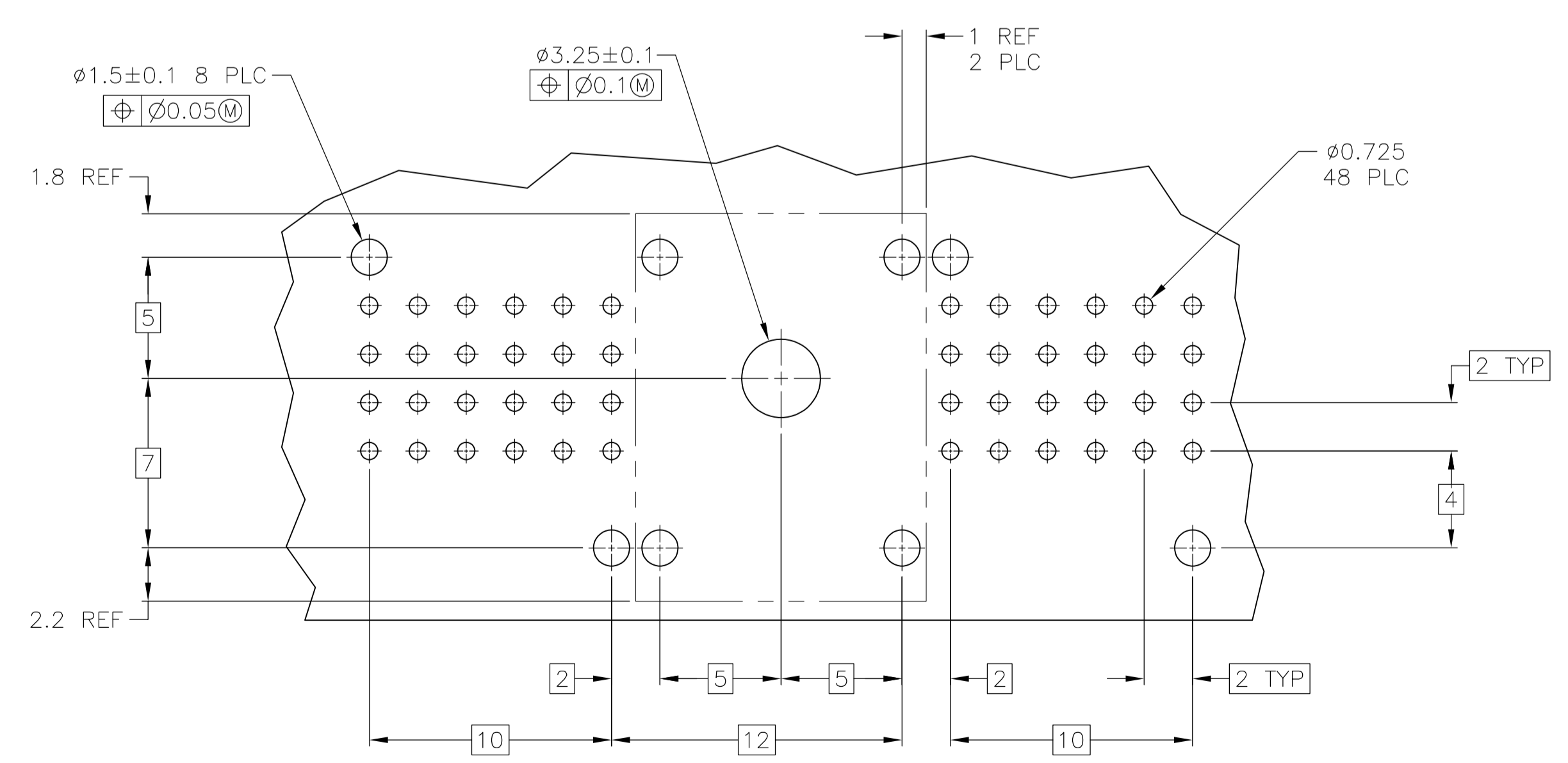
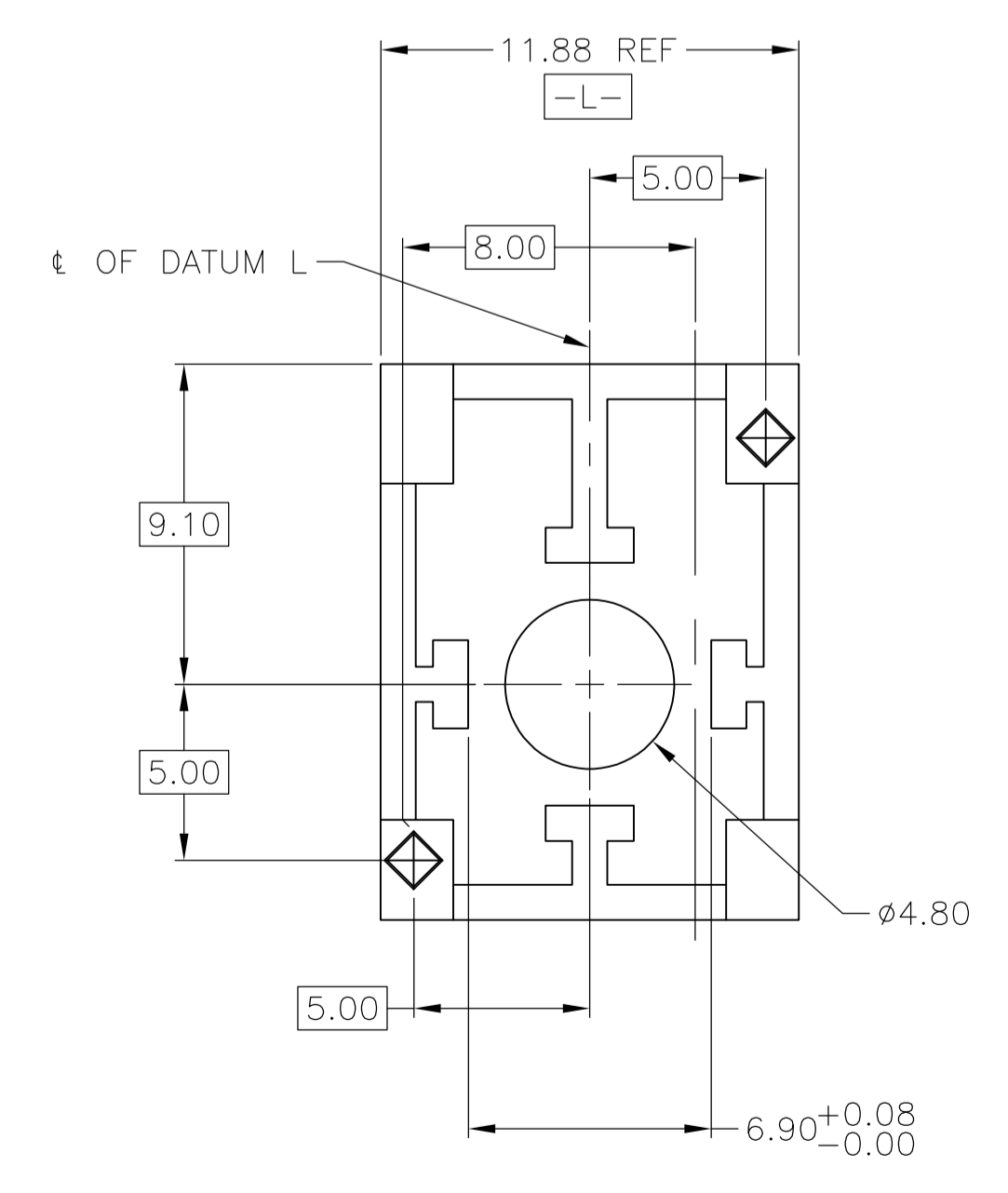
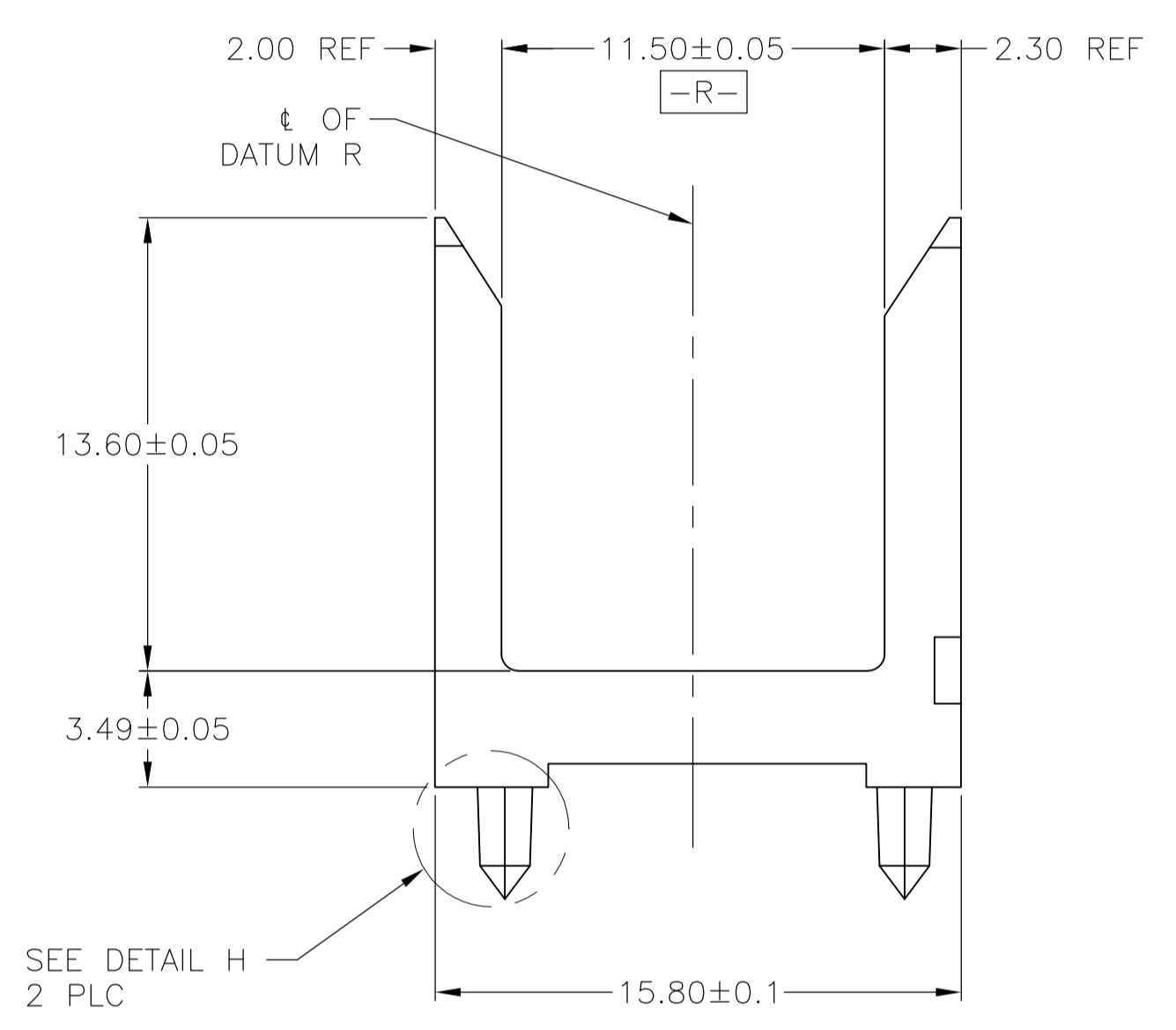
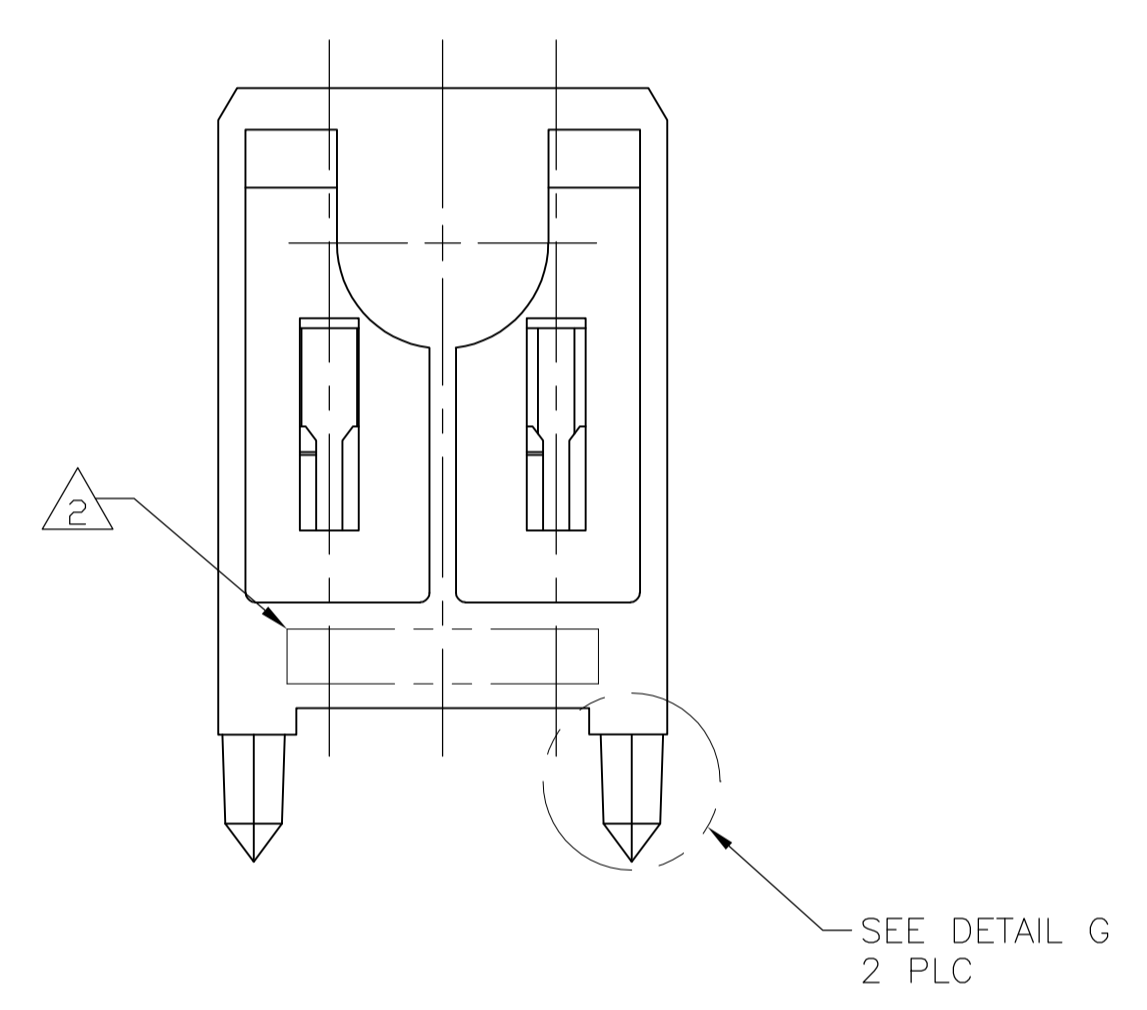


DETAIL G
SCALE 10:1



DETAIL H
SCALE 10:1

- 1 MATERIAL: LIQUID CRYSTAL POLYMER, UL 94-V0 RATED, NATURAL.
- 2 PART MARKING PER AMP SPEC 115-9009, LOCATED APPROXIMATELY AS SHOWN.



RECOMMENDED PCB LAYOUT

223754-1
PART NUMBER

THIS DRAWING IS A CONTROLLED DOCUMENT.		DIN J. POLIGNONE 18FEB05		Tyco Electronics Corporation Harrisburg, PA, 17105-3608	
DIMENSIONS: μm		CHK N. NORRIS 16DEC02		NAME N. NORRIS 16DEC02	PRODUCT SPEC
TOLERANCES UNLESS OTHERWISE SPECIFIED:		APVD N. NORRIS 16DEC02		APPLICATION SPEC	
0 PLC ± - 1 PLC ± - 2 PLC ± 0.13 3 PLC ± - 4 PLC ± - ANGLES ± 1°		SIZE CAGE CODE DRAWING NO		RESTRICTED TO	
MATERIAL FINISH		WEIGHT		A1 00779 C=223754	
1		CUSTOMER DRAWING		SCALE 5:1 SHEET 1 OF 1 REV 01	