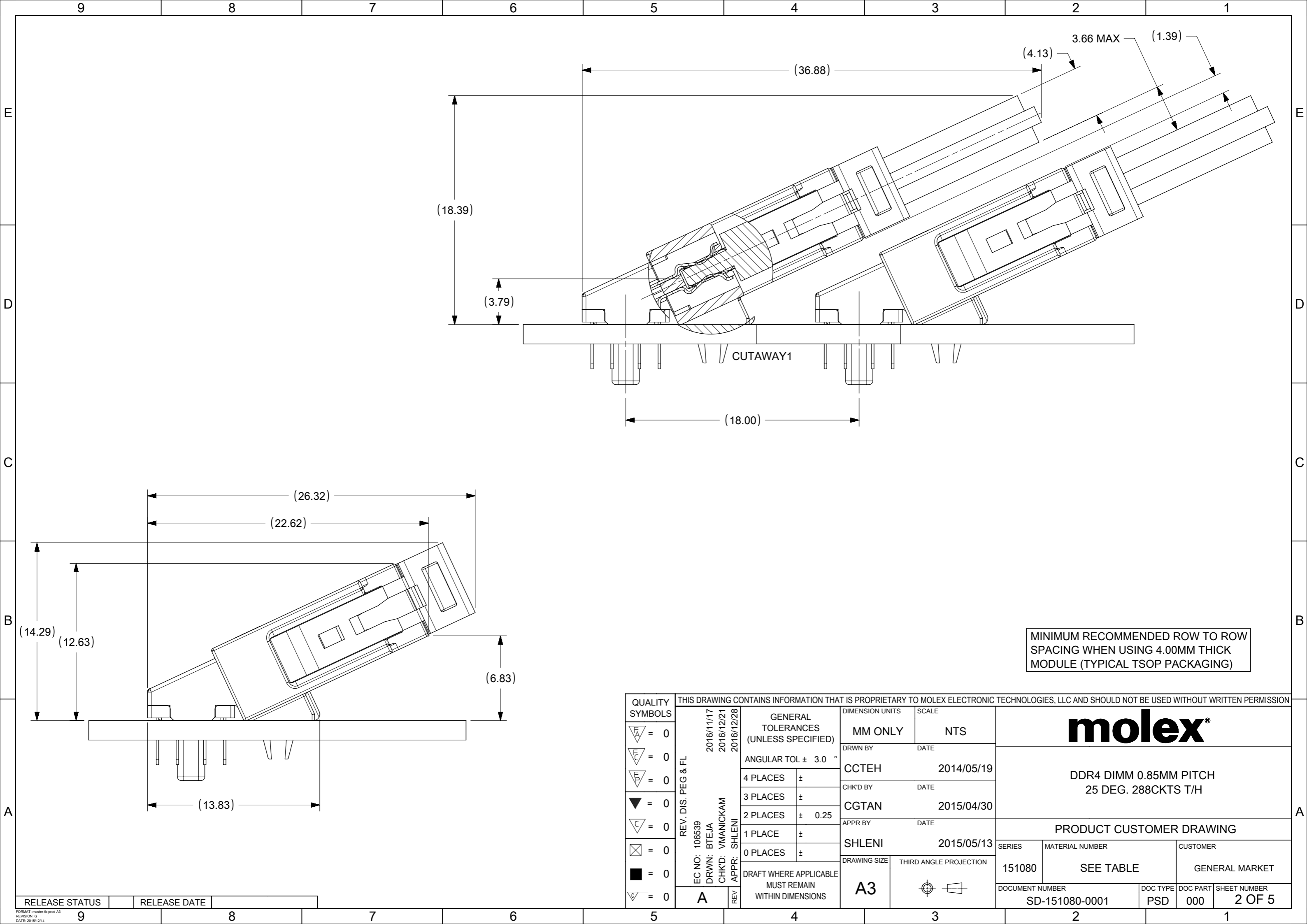


THIS DESIGN IS BASED ON DESIGN OBJECTIVES AND IS STRICTLY TENTATIVE. IT MAY CHANGE BASED ON RESULTS OF ADDITIONAL DESIGN REVIEWS & VERIFICATIONS.

- NOTES:
- MATERIAL : HOUSING - HALOGEN FREE HIGH TEMP POLYAMIDE, GLASS FILLED, UL94V-0, BLACK.
LATCH - HALOGEN FREE HIGH TEMP POLYAMIDE, GLASS FILLED, UL94V-0, BLACK.
TERMINAL : COPPER ALLOY.
FORKLOCK: COPPER ALLOY.
 - FINISHES - SEE TABLE ON SHEET 5.
 - PRODUCT SPECIFICATION : SEE TABLE ON SHEET 5.
 - PACKAGING SPECIFICATION: PRODUCT SHALL BE PACKED IN TRAY, SEE SHEET 5
 - CARD SLOT ACCEPTS 1.40±0.10MM MODULE THICKNESS (MEASURED OVER P.C. PADS).
 - MOLEX LOGO, DATE & PART NO. INDICATED ON HOUSING.

THIS DRAWING CONTAINS INFORMATION THAT IS PROPRIETARY TO MOLEX ELECTRONIC TECHNOLOGIES, LLC AND SHOULD NOT BE USED WITHOUT WRITTEN PERMISSION										
QUALITY SYMBOLS		REV. DIS. PEG & FL		GENERAL TOLERANCES (UNLESS SPECIFIED)		DIMENSION UNITS		SCALE		
FA	= 0	2018/11/17		ANGULAR TOL ± 3.0 °		MM ONLY	NTS			
FE	= 0	DRWN: BTEJA		4 PLACES ±		DRWN BY	DATE			
FB	= 0	2016/12/21		3 PLACES ±		CCTEH	2014/05/19			
FC	= 0	CHK'D: VMANICKAM		2 PLACES ± 0.25		CHK'D BY	DATE			
FD	= 0	2016/12/28		1 PLACE ±		CGTAN	2015/04/30			
FE	= 0	REV APPR: SHLENI		0 PLACES ±		APPR BY	DATE			
FF	= 0	EC NO: 106539		DRAFT WHERE APPLICABLE MUST REMAIN WITHIN DIMENSIONS		SHLENI	2015/05/13			
FG	= 0					DRAWING SIZE	THIRD ANGLE PROJECTION			
FH	= 0					A3				
FI	= 0					PRODUCT CUSTOMER DRAWING				
						SERIES	MATERIAL NUMBER	CUSTOMER		
						151080	SEE TABLE	GENERAL MARKET		
						DOCUMENT NUMBER		DOC TYPE	DOC PART	SHEET NUMBER
						SD-151080-0001		PSD	000	1 OF 5

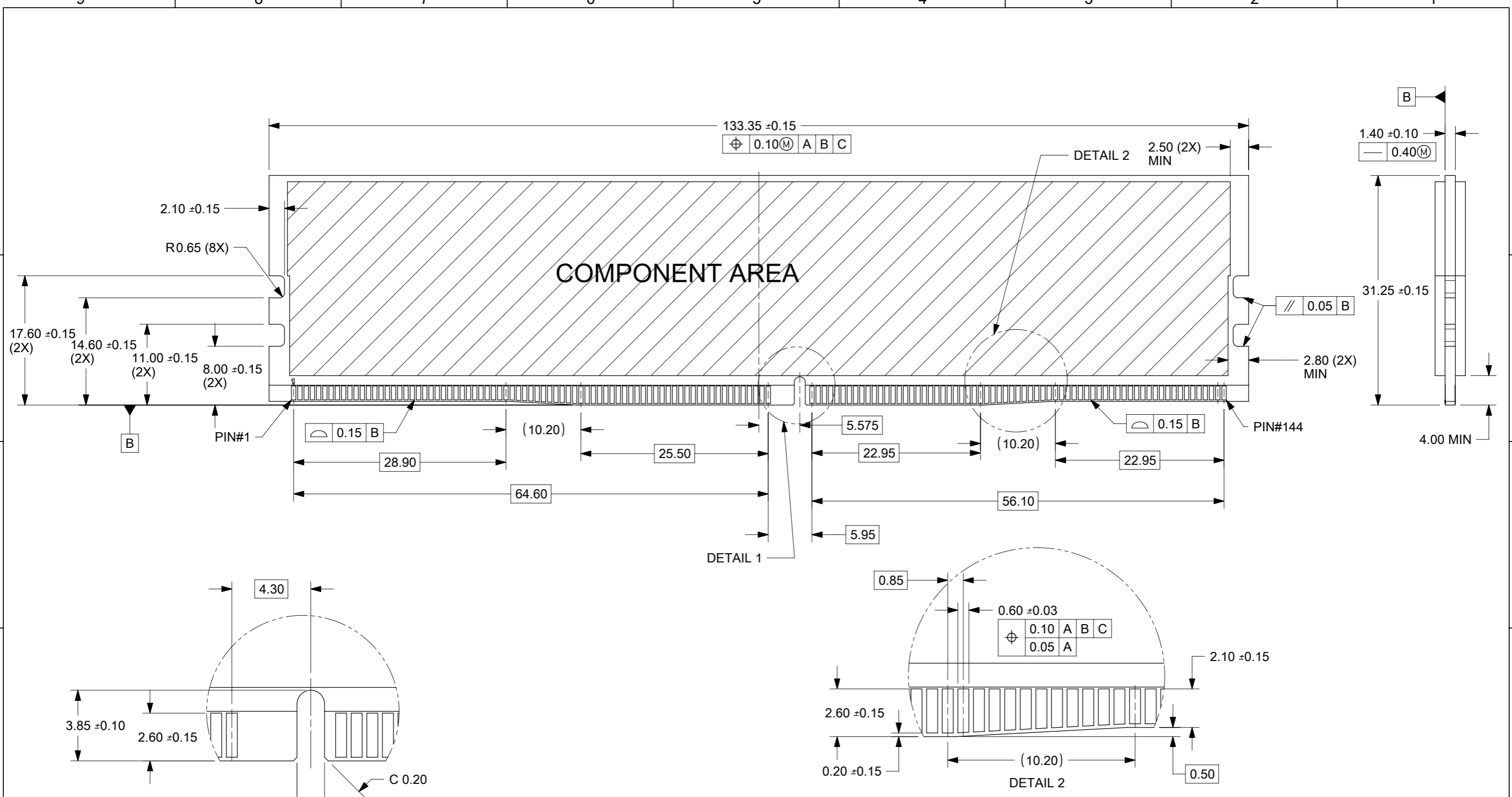
RELEASE STATUS	RELEASE DATE
----------------	--------------



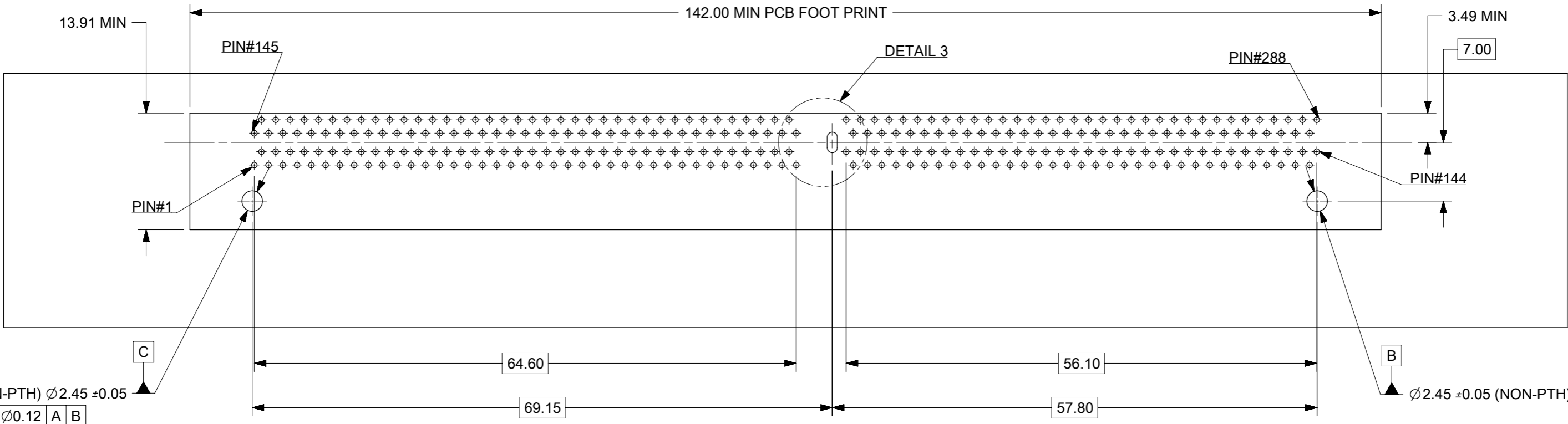
MINIMUM RECOMMENDED ROW TO ROW SPACING WHEN USING 4.00MM THICK MODULE (TYPICAL TSOP PACKAGING)

THIS DRAWING CONTAINS INFORMATION THAT IS PROPRIETARY TO MOLEX ELECTRONIC TECHNOLOGIES, LLC AND SHOULD NOT BE USED WITHOUT WRITTEN PERMISSION											
QUALITY SYMBOLS		REV. DIS. PEG & FL		GENERAL TOLERANCES (UNLESS SPECIFIED)		DIMENSION UNITS		SCALE			
FA	= 0	2016/11/17		ANGULAR TOL ± 3.0 °		MM ONLY		NTS			
FE	= 0	EC NO: 106539		4 PLACES ±		DRWN BY		DATE		DDR4 DIMM 0.85MM PITCH 25 DEG. 288CKTS T/H	
FB	= 0	DRWN: BTEJA		3 PLACES ±		CCTEH		2014/05/19			
FC	= 0	CHK'D: VMANICKAM		2 PLACES ± 0.25		CHK'D BY		DATE		PRODUCT CUSTOMER DRAWING	
FD	= 0	REV APPR: SHLENI		1 PLACE ±		CGTAN		2015/04/30			
FE	= 0			0 PLACES ±		APPR BY		DATE		SERIES: 151080 MATERIAL NUMBER: SEE TABLE CUSTOMER: GENERAL MARKET	
FF	= 0			DRAFT WHERE APPLICABLE MUST REMAIN WITHIN DIMENSIONS		SHLENI		2015/05/13			
FG	= 0					DRAWING SIZE		THIRD ANGLE PROJECTION		DOCUMENT NUMBER: SD-151080-0001 DOC TYPE: PSD DOC PART: 000 SHEET NUMBER: 2 OF 5	
FH	= 0					A3					

RELEASE STATUS	RELEASE DATE
----------------	--------------

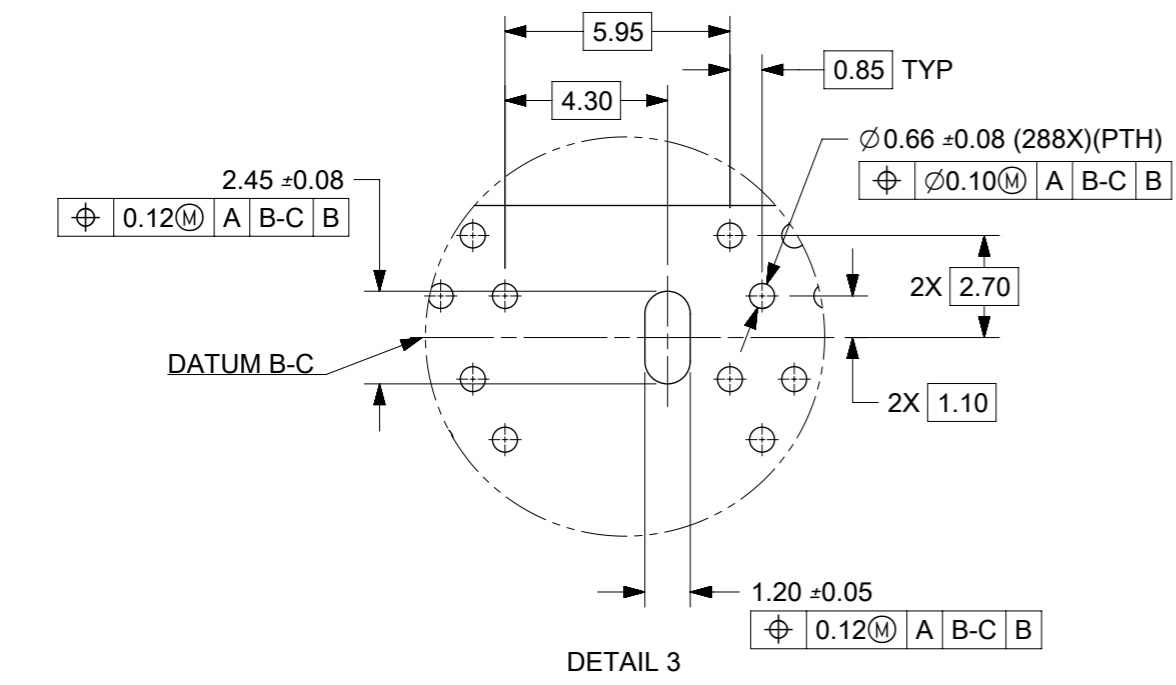


THIS DRAWING CONTAINS INFORMATION THAT IS PROPRIETARY TO MOLEX ELECTRONIC TECHNOLOGIES, LLC AND SHOULD NOT BE USED WITHOUT WRITTEN PERMISSION										
QUALITY SYMBOLS ∇ A = 0 ∇ E = 0 ∇ F = 0 \blacktriangledown = 0 ∇ C = 0 \boxtimes = 0 \blacksquare = 0 ∇ = 0	REV. DIS. PEG & FL	2016/11/17	2016/12/21	2016/12/28	GENERAL TOLERANCES (UNLESS SPECIFIED) ANGULAR TOL ± 3.0 ° 4 PLACES ± 3 PLACES ± 2 PLACES ± 0.25 1 PLACE ± 0 PLACES ±	DIMENSION UNITS	SCALE			
	EC NO: 106539	DRWN: BTEJA	CHK'D: VMANICKAM	APPR: SHLENI		MM ONLY	NTS			
	DRAFT WHERE APPLICABLE MUST REMAIN WITHIN DIMENSIONS		A3		THIRD ANGLE PROJECTION		DRWN BY: CCTEH DATE: 2014/05/19 CHK'D BY: CGTAN DATE: 2015/04/30 APPR BY: SHLENI DATE: 2015/05/13			
	PRODUCT CUSTOMER DRAWING		SERIES	MATERIAL NUMBER	CUSTOMER		151080 SEE TABLE GENERAL MARKET			
	RELEASE STATUS		RELEASE DATE		DOCUMENT NUMBER		DOC TYPE	DOC PART	SHEET NUMBER	
					SD-151080-0001		PSD	000	3 OF 5	



(NON-PTH) $\varnothing 2.45 \pm 0.05$
 $\varnothing 0.12$ A B

$\varnothing 2.45 \pm 0.05$ (NON-PTH)



THIS DRAWING CONTAINS INFORMATION THAT IS PROPRIETARY TO MOLEX ELECTRONIC TECHNOLOGIES, LLC AND SHOULD NOT BE USED WITHOUT WRITTEN PERMISSION										
QUALITY SYMBOLS	REV. DIS. PEG & FL	EC NO: 106539	DRWN: BTEJA	CHK'D: VMANICKAM	REV APPR: SHLENI	GENERAL TOLERANCES (UNLESS SPECIFIED)		DIMENSION UNITS	SCALE	
						ANGULAR TOL $\pm 3.0^\circ$		MM ONLY	NTS	
$\nabla_A = 0$						4 PLACES \pm		DRWN BY	DATE	
$\nabla_E = 0$						3 PLACES \pm		CCTEH	2014/05/19	
$\nabla_F = 0$						2 PLACES ± 0.25		CHK'D BY	DATE	
$\blacktriangledown = 0$						1 PLACE \pm		CGTAN	2015/04/30	
$\nabla_C = 0$						0 PLACES \pm		APPR BY	DATE	
$\boxtimes = 0$						DRAFT WHERE APPLICABLE MUST REMAIN WITHIN DIMENSIONS		SHLENI	2015/05/13	
$\blacksquare = 0$						DRAWING SIZE	THIRD ANGLE PROJECTION			
$\nabla = 0$						A3				
							DDR4 DIMM 0.85MM PITCH 25 DEG. 288CKTS T/H			
							PRODUCT CUSTOMER DRAWING			
RELEASE STATUS		RELEASE DATE				SERIES	MATERIAL NUMBER	CUSTOMER		
						151080	SEE TABLE	GENERAL MARKET		
							DOCUMENT NUMBER	DOC TYPE	DOC PART	SHEET NUMBER
							SD-151080-0001	PSD	000	4 OF 5

RELEASE STATUS: [] RELEASE DATE: []

9 8 7 6 5 4 3 2 1

PART NO.	VOLTAGE KEY	DIM "P"	DIM "O"	RECOMMENDED PCB THICKNESS	PLATING OPTION	HOUSING COLOUR	LATCH COLOUR	PRODUCT SPECIFICATION	PACKAGING SPECIFICATION
151080-0001	CENTER (1.2V)	3.56	4.83	2.54	0.76µM / 30 µInch MIN GOLD ON CONTACT 2.54µM / 100 µInch MIN PURE TIN ON SOLDER TAILS 1.27µM / 50 µInch MIN NICKEL UNDERPLATE	BLACK	BLACK	PS-151080-0001	PK-151080-0001
151080-0101		2.67	3.18	1.70~1.80		BLACK	BLACK		
151080-0102						BLACK	NATURAL		

E
D
C
B
A

E
D
C
B
A

THIS DRAWING CONTAINS INFORMATION THAT IS PROPRIETARY TO MOLEX ELECTRONIC TECHNOLOGIES, LLC AND SHOULD NOT BE USED WITHOUT WRITTEN PERMISSION														
QUALITY SYMBOLS 	REV. DIS. PEG & FL EC NO: 106539 DRWN: BTEJA CHK'D: VMANICKAM REV APPR: SHLENI	2016/11/17 2016/12/21 2016/12/28	GENERAL TOLERANCES (UNLESS SPECIFIED)		DIMENSION UNITS	SCALE								
			ANGULAR TOL ± 3.0 °		MM ONLY	NTS								
			4 PLACES ±	3 PLACES ±	DRWN BY	DATE								
			2 PLACES ± 0.25	1 PLACE ±	0 PLACES ±	DRAFT WHERE APPLICABLE MUST REMAIN WITHIN DIMENSIONS	CGTAN	DATE	DDR4 DIMM 0.85MM PITCH 25 DEG. 288CKTS T/H					
			DRAFT WHERE APPLICABLE MUST REMAIN WITHIN DIMENSIONS			SHLENI	DATE	PRODUCT CUSTOMER DRAWING						
							APPR BY	DATE	SERIES	MATERIAL NUMBER	CUSTOMER			
							DRAWING SIZE	THIRD ANGLE PROJECTION	151080	SEE TABLE	GENERAL MARKET			
							A3		DOCUMENT NUMBER	DOC TYPE	DOC PART	SHEET NUMBER		
									SD-151080-0001	PSD	000	5 OF 5		

RELEASE STATUS RELEASE DATE

9 8 7 6 5 4 3 2 1

FORMAT: master-b-prod-A3
REVISION: 0
DATE: 2015/12/14