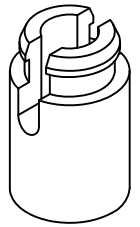
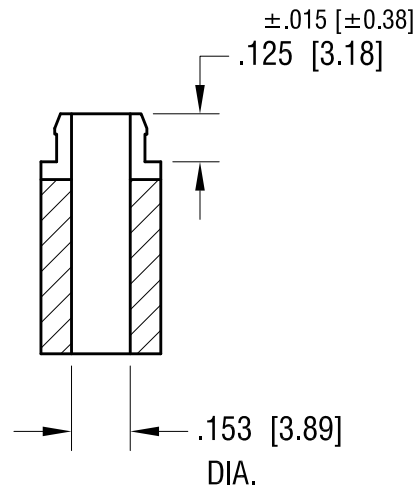
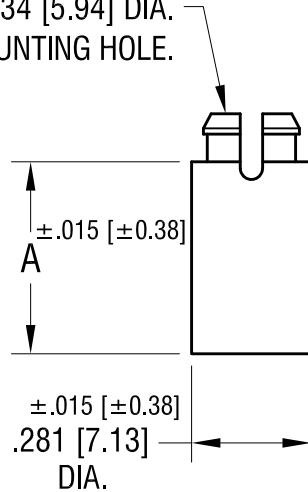


THIS DOCUMENT IS THE PROPERTY OF
KEYSTONE ELECTRONICS CORP. AND
SHALL NOT BE REPRODUCED, DISTRIBUTED
OR USED AS A BASIS FOR MANUFACTURE
WITHOUT PRIOR WRITTEN PERMISSION
FROM KEYSTONE ELECTRONICS CORP.



FOR .234 [5.94] DIA.
MOUNTING HOLE.



| PART NO. | 'A' DIM. |
|----------|--------------|
| 9033 | .250 [6.35] |
| 9034 | .375 [9.53] |
| 9035 | .500 [12.70] |
| 9036 | .625 [15.88] |

| DATE | DESCRIPTION | REV. |
|----------|--------------------------|------|
| 11.05.09 | CHANGE AS PER ECN 09-161 | B |
| 5.04.09 | CHANGE AS PER ECN 09-036 | A |

| | | | |
|---|-----------------|--------|------------------|
| KEYSTONE ELECTRONICS CORP. | | | |
| www.keyelco.com • ASTORIA, N.Y. 11105-2017 • Tel (718) 956-8900 | | | |
| PART NAME | | | |
| THRU HOLE SPACER | | | |
| MATERIAL | | | |
| NYLON UL 94V-0 | | | |
| FINISH | | DRN BY | DATE |
| - | | BOONE | 8.29.06 |
| | | APP'D | SCALE |
| | | | 2X |
| TOLERANCES | INCH [MM] | CODE | DWG NO. |
| DECIMAL | ± .005 [± 0.15] | C/M | 9033-9036 |
| ANGULAR | ± 1° | | |
| UNLESS OTHERWISE SPECIFIED | | | |