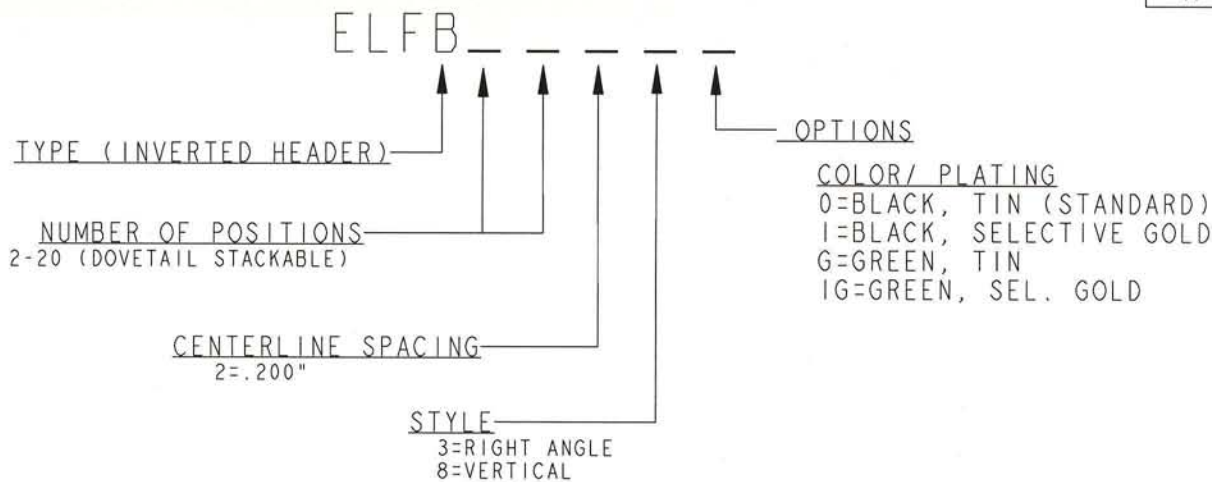


ELFB SERIES PART NUMBERING SCHEME

REV	ECN	APP'D
-	4501	10 10-31-01
A	5742	AN 12/28/05



COLOR/ PLATING
 0=BLACK, TIN (STANDARD)
 1=BLACK, SELECTIVE GOLD
 G=GREEN, TIN
 1G=GREEN, SEL. GOLD

CONSULT PCD FOR PART NO. AND AVAILABILITY OF FOLLOWING OPTIONS:
 *CUSTOM COLORS *CUSTOM KEYING
 *CUSTOM MARKING *NUMBER OF POSITIONS 21-24

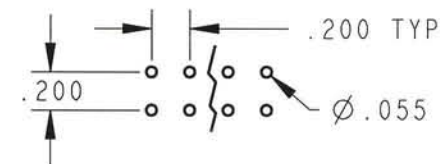
RU RATINGS
 CURRENT - 15A
 VOLTAGE - 300V
 U.L. FILE NO. PENDING

SP RATINGS
 CURRENT - 15 A
 VOLTAGE - 300 V
 CSA FILE NO. PENDING

DIN VDE 0627:1986
 DIN VDE 0110-1:1989
 EN 60947-1:1991
 EN 60947-7-1:1992
 CURRENT - 15 A
 VOLTAGE - 300 V
 TUV FILE NO. PENDING

MATERIALS:
 HOUSING: NYLON 46, UL 94 V-0; HIGH TEMP.
 CONTACT: PHOSPHOR BRONZE, TIN FINISH
 MAX OPERATING TEMP: 125°C
NOTE:
 HIGH TEMP. MATERIAL WILL WITHSTAND COMPONENT EQUILIBRIUM TEMPERATURES OF 260°C FOR 3 MINUTES DURING THE SOLDERING PROCESS

PRINTED CIRCUIT BOARD CONFIGURATION

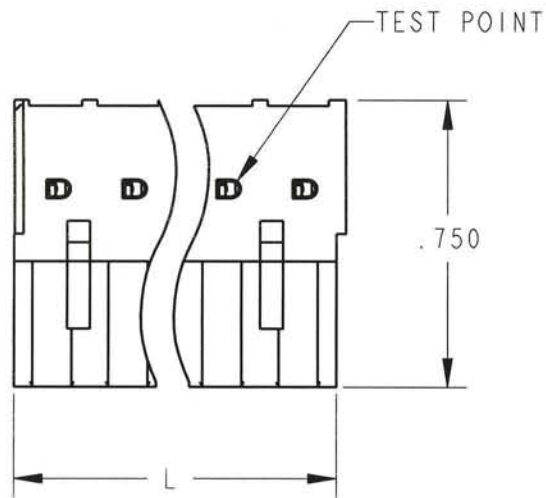


RECOMMENDED PCB THICKNESS: .062±.008

DIMENSIONS ANSI Y14.5M UNITS: INCHES Pro/E FILE	TOLERANCES .XX ±0.01 .XXX ±0.005 ANGLES ±2.0°	PROJECTION 	Amphenol Pcd		TITLE ELFB SERIES INVERTED HEADER		
			ENGR C. LASHUA 5/21/01		SIZE A	DWG NO. ELFB02230	REV A
ORIGINAL STAMPED IN RED	THIS DOCUMENT CONTAINS PROPRIETARY INFORMATION WHICH IS THE CONFIDENTIAL PROPERTY OF AMPHENOL PCD, INC. PEABODY, MA, USA	CHKD ALAN PATRIE 10-30-01	APPD IQ 10-31-01		CODE: 58982	SCALE: NONE	SHEET 1 OF 2

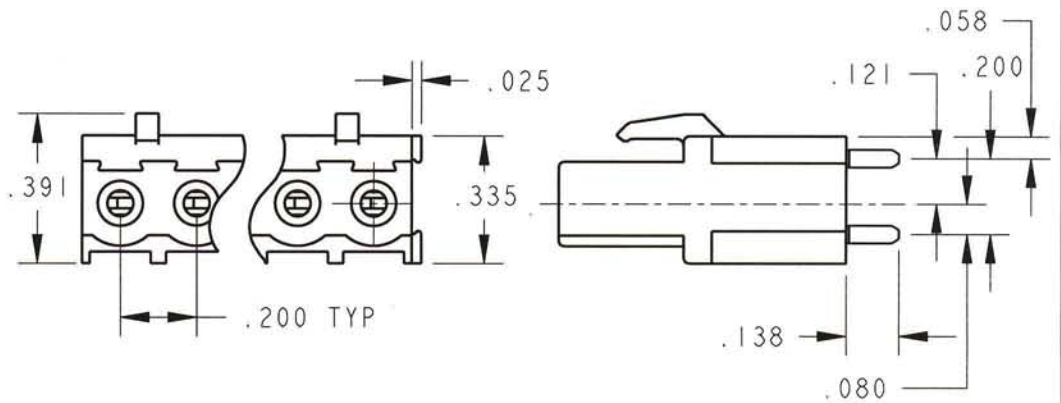
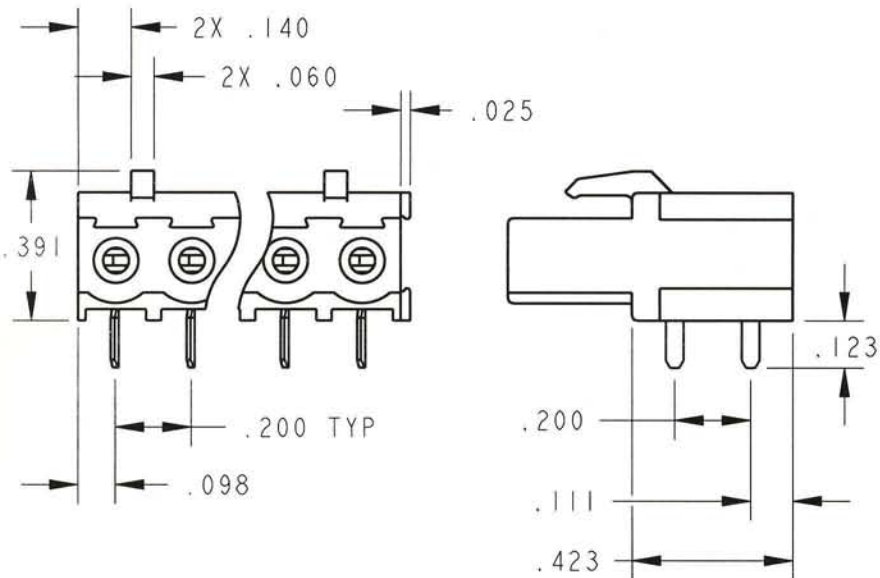
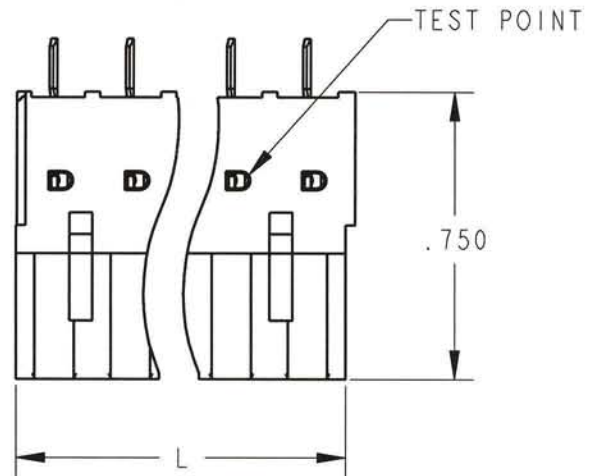
RIGHT ANGLE

L=NUM OF POS X .200



VERTICAL

L=NUM OF POS X .200



SIZE	DWG NO.	REV
A	ELFB02230	A
CODE: 58982	SCALE: NONE	SHEET 2 OF 2