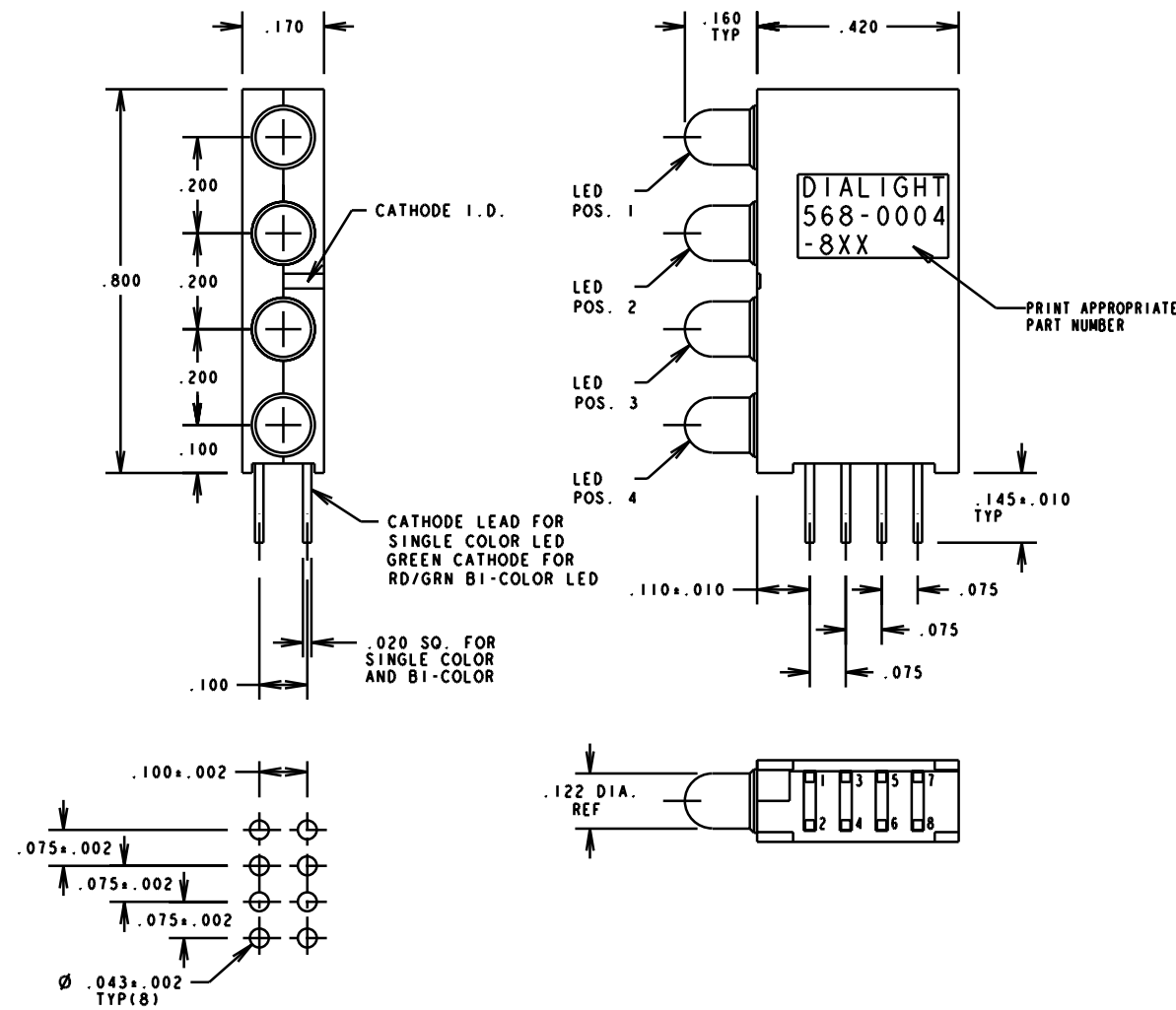


ASSY. NO. (CAT. NO.)	LED COLOR				CUSTOMER P/N REF.
	POSITION 1	POSITION 2	POSITION 3	POSITION 4	
568-0004-815	YELLOW	GREEN	YELLOW	GREEN	4060200-01
568-0004-816	YELLOW	GREEN	RED	YELLOW	4060203-01
568-0004-817	GREEN	YELLOW	YELLOW	RED	4060211-01
568-0004-818	YELLOW	GREEN	YELLOW	BLANK	4060213-01
568-0004-819	BLANK	GREEN	GREEN	GREEN	4060215-01
568-0004-820	YELLOW	YELLOW	YELLOW	YELLOW	4060205-01
568-0004-821	BLANK	RED	RED	RED	4060214-01
568-0004-822	RED	RED	RED	RED	4060206-01
568-0004-823	GREEN	GREEN	YELLOW	GREEN	4060210-01
568-0004-824	RD/GR BICOLOR	YELLOW	RED	YELLOW	4060218-01
568-0004-825	GREEN	GREEN	GREEN	GREEN	4060204-01

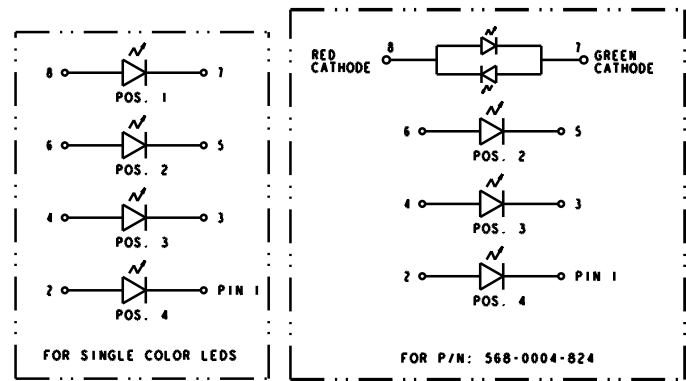
REV.	ECN NO.	REVISIONS	DRN.	CKD.	APP.	DATE
C		CHANGE 'CLAMSHELL' DESIGN TO NEW 'BOTTOM INSERT' DESIGN; ADDED NEW NOTE 4 AND 5, ALSO ADDED TITLE NAME.	DC	MC	N.O.	2-8-99
D		CHANGE BACK TO 'CLAMSHELL' DESIGN; TOP LED LEAD NOT LONG ENOUGH FOR NEW 'BOTTOM INSERT' DESIGN.	DC			



RECOMMENDED PC BOARD HOLE PATTERN

LED ELECTRO-OPTICAL CHARACTERISTICS						
PARAMETER	RED	YELLOW	GREEN	UNITS	TEST COND.	SPECS
POWER DISSIPATION	60	60	75	mW	N/A	ABSOLUTE MAXIMUM RATINGS AT T _A = 25 °C
FORWARD DC CURRENT	20	20	25	mA		
OPERATING TEMPERATURE	-25° TO +85°			°C		
STORAGE TEMPERATURE	-30° TO +100°			°C		
LEAD SOLDERING TEMP. (1/16" FROM CASE)	260°C FOR 5 SECONDS					
FORWARD VOLTAGE	TYP 2.0 MAX 3.0	2.1 3.0	2.1 3.0	V	I _f = 10 mA	OPERATING CHAR. AT T _A = 25 °C
REVERSE BREAKDOWN VOLTAGE	3.0 MIN.			V	I _R = 10 µA	
PEAK WAVELENGTH	650	585	563	nm	MEAS. AT PEAK	
LUMINOUS INTENSITY	MIN 3.6	2.2	5.6	mc d	I _f = 10 mA	

BI-COLOR LEDS OPERATING CHARACTERISTICS AT T _A = 25 °C							
SYMBOL	PARAMETER	COLOR	MIN	TYP	MAX	UNITS	TEST COND.
V _f	FORWARD VOLTAGE	GaAlAs RED		1.8	2.4	V	I _f = 20 mA
		GREEN		2.1	2.8		
λ _{PEAK}	PEAK WAVELENGTH	GaAlAs RED		660		nm	
		GREEN		565			
I _v	LUMINOUS INTENSITY	GaAlAs RED	3.7	12.6		mc d	I _f = 20 mA
		GREEN	1.1	3.7			



- NOTES:
- PIN NUMBERS FOR REFERENCE ONLY, DESIGNATION NON-EXISTENT ON PART.
 - BLANK MEANS THERE IS NO LED IN THAT POSITION.
 - PACKAGE 50 PC'S PER 5"x6" ANTISTATIC AUTOBAG WITH P/N, QTY, DATE CODE AND MFG PRINTED ON BAG; PLACE 10 BAGS OF 50 PC'S EACH INTO AN APPROPRIATE SIZE ANTISTATIC ZIP LOCK BAG WITH APPROPRIATE BAR CODE LABEL. LABEL MUST CONTAIN THE FOLLOWING IN BAR CODE & HUMAN READABLE FORMAT: CUSTOMER P/N; DIALIGHT P/N; P.O. NUMBER; QTY PER BAG; DATE CODE. THE BAR CODE LABEL TO BE APPLIED TO BAG AND INNER CARTON. REFERENCE: CUSTOMER SPEC.: OP012.
 - LED LEAD DIMENSIONS SHOWN ARE MEASURED AT HOUSING EXIT.
 - DIALIGHT PART NO. 568-0004-815 THRU 568-0004-825.

THIS DRAWING AND THE CONTENTS HEREIN ARE CONFIDENTIAL AND THE SOLE PROPERTY OF DIALIGHT. REPRODUCTION OF THIS DRAWING OR CONSTRUCTION OF ANY PARTS WITHIN THIS DRAWING ARE FORBIDDEN WITHOUT THE WRITTEN CONSENT OF DIALIGHT.

SCALE: 4:1	DRAWING NUMBER	REV
ALL DIM'S IN: INCHES	C-15976	D
TOLERANCES: UNLESS OTHERWISE SPECIFIED	TITLE	
FRACTIONS: ±1/64	STANDARD 4X1 CBI BLOCK	
DECIMALS (.XX): ±.02	MATERIAL	
DECIMALS (.XXX): ±.015		
ANGLES: ±3°		
FINISH:		
FSCN 83330	Dialight	1913 ATLANTIC AVE. MANASQUAN, N.J. 08736
	SHEET OF	FAMILY TABLES: