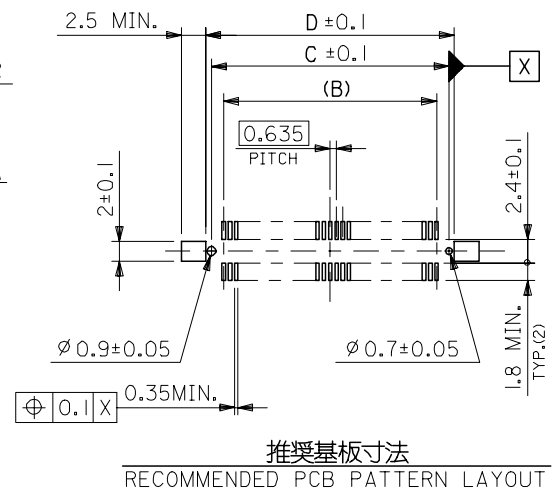
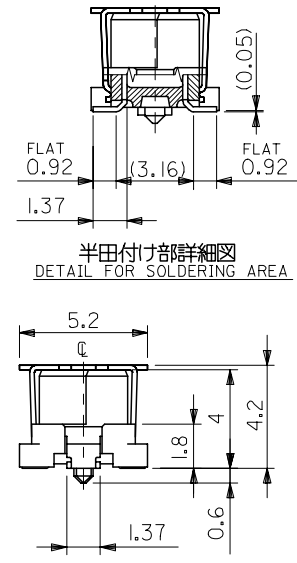
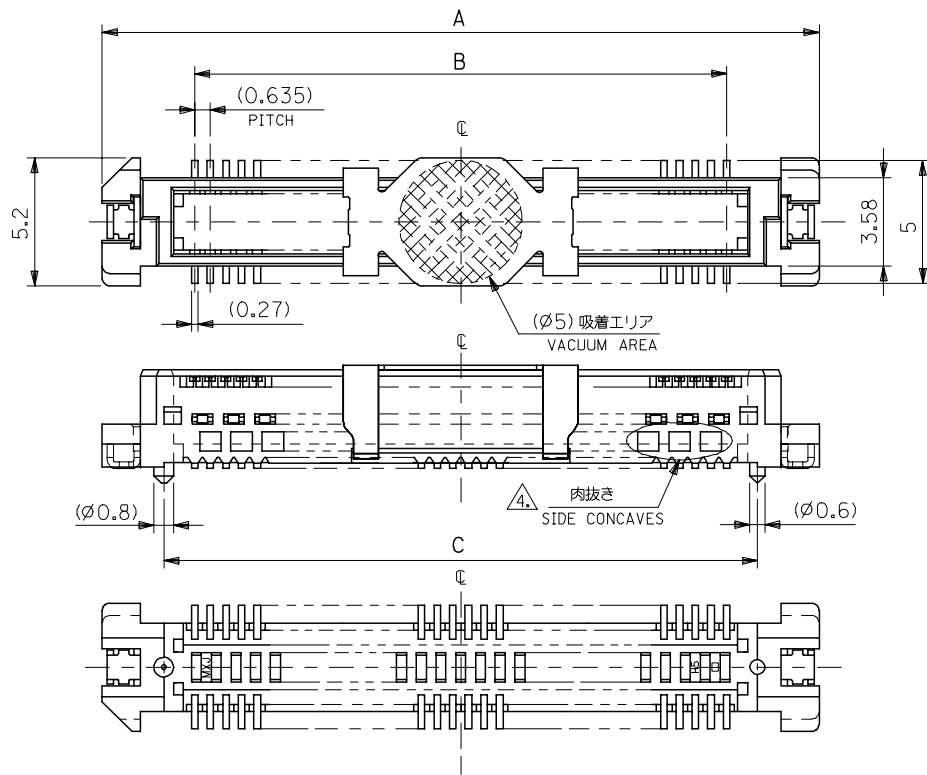


10 9 8 7 6 5 4 3 2 1



注) NOTES

1. 材質 MATERIAL
ハウジング: ガラス入りLCP、白色、UL94V-0
HOUSING: G.F.LCP, WHITE, UL94V-0
ターミナル: 銅合金 (t=0.2)
TERMINAL: COPPER ALLOY
吸着カバー: ステンレス (t=0.2)
VACUUM COVER: STAINLESS STEEL
2. メッキ仕様 PLATING
接点部 : 金メッキ 0.76 μmMIN.
CONTACT AREA: GOLD 0.76 μmMIN.
半田付け部: 錫メッキ: 1.0 μmMIN.
SOLDER TAIL AREA: TIN 1.0 μmMIN.
下地メッキ: ニッケルメッキ 1.5 μmMIN.
UNDER-PLATING: NICKEL 1.5 μmMIN.
3. テールのバラツキ寸法 TAIL COPLANARITY
テール平坦度は、0.1 MAX. とする。
TAILS COPLANARITY TO BE 0.1 MAX.
4. 側面の肉抜きは140種以上に適用。
SIDE CONCAVES TO BE APPLICABLE TO 140 CKT. AND MORE.

| | | | | | | | |
|-------|-------|--------|-------|--------------------------------|------------------------|------------------|---------------------|
| 28.37 | 27.27 | 24.765 | 32.27 | 501750-0874 | 501750-0872 | 80 | ○ |
| D | C | B | A | エンボス梱包 (EMBOSSED PACKAGING) | 製品番号 (MATERIAL NO.) | 種数 (CKT. NO.) | 量産対応 (AVAILABLE) |

| | | | | | | | |
|---|--|-------|----------------------------|--|--|------------------------|---------------------------|
| RELEASED EC NO: J2005-2905 DRAWN: KENSUZUKI 2005/04/12 CHK'D: NUKITA 2005/04/12 APPR: NUKITA 2005/04/13 | GENERAL TOLERANCES (UNLESS SPECIFIED) | | DIMENSION STYLE MM ONLY | | SCALE --- | DESIGN UNITS METRIC | THIRD ANGLE PROJECTION |
| | 10 UNDER | ±0.2 | DRAWN BY KENSUZUKI | | DATE 2005/04/01 | | |
| | 10 OVER 30 UNDER | ±0.25 | CHECKED BY NUKITA | | DATE 2005/04/01 | | |
| | 30 OVER | ±0.3 | APPROVED BY NUKITA | | DATE 2005/04/01 | | |
| | ANGULAR | ±3 ° | MATERIAL NO. SEE CHART | | DOCUMENT NO. SD-501750-001 | | SHEET NO. 1 OF 1 |
| 0 | DRAFT WHERE APPLICABLE MUST REMAIN WITHIN DIMENSIONS | | SIZE A3 | | THIS DRAWING CONTAINS INFORMATION THAT IS PROPRIETARY TO MOLEX INCORPORATED AND SHOULD NOT BE USED WITHOUT WRITTEN PERMISSION | | |

F

E

D

C

B

A

F

E

D

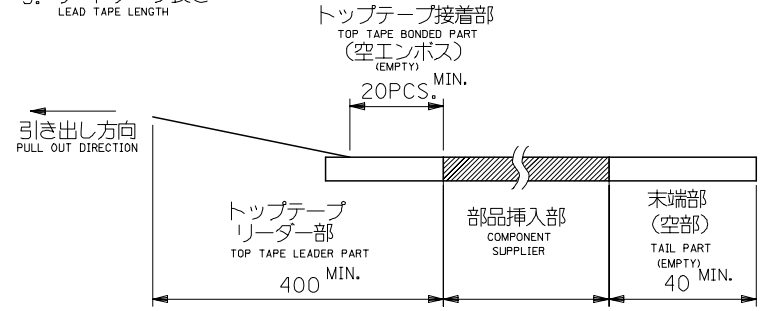
C

B

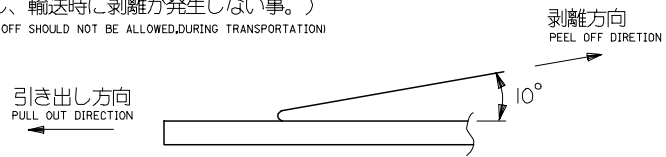
A

注)
NOTES

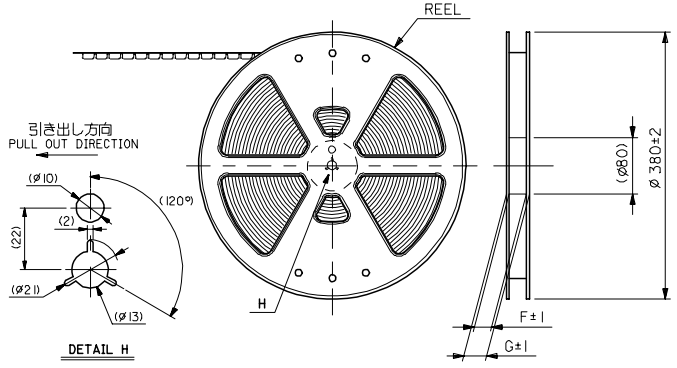
- 製品番号 501750-**72 の詳細寸法は別添付では、SD-501750-001 を参照下さい。
IN THE PACKAGE, PART NO. 501750-**72 DETAILED DIMENSIONS, SEE SD-501750-001.
- 梱包数量 : 1000個/リール
NUMBER OF CONNECTORS : 1000 PCS/REEL
- リードテープ長さ
LEAD TAPE LENGTH



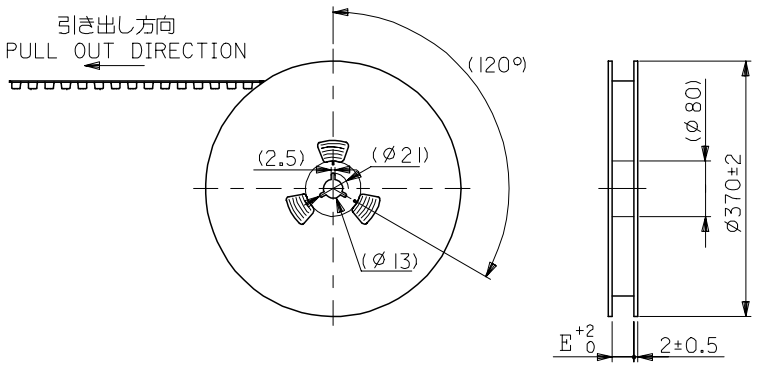
- トップテープの剥離強度 (剥離方向は下図参照)
PEELING OFF FORCE OF TOP TAPE (PEELING DIRECTION AS SHOWN IN FOLLOWING FIG.)
0.1~1.3N (10~130gf)
尚、本規格値は、出荷時に適用。
THIS REQUIREMENT SHOULD BE APPLIED AT SHIPMENT
(但し、輸送時に剥離が発生しない事。)
(PEEL OFF SHOULD NOT BE ALLOWED DURING TRANSPORTATION)



- 材料
MATERIAL
キャリアテープ : ポリプロピレン (PP)
CARRIER TAPE : POLYPROPYLENE (PP)
トップテープ : PET, PE, PEF
TOP TAPE : PET, PE, PEF
リール : キャリアテープ幅 24mm~56mm : ポリスチレン
REEL : CARRIER TAPE WIDTH 24mm-56mm : POLYSTYRENE
キャリアテープ幅 72mm : 紙
CARRIER TAPE WIDTH 72mm : CARD BOARD



キャリアテープ幅 : 24mm~56mm
CARRIER TAPE WIDTH : 24mm-56mm



キャリアテープ幅 : 72mm
CARRIER TAPE WIDTH : 72mm

| | | | | | | | | |
|--|---------------------------------------|------------|----------------------------|---|---|------------------------|------------------------|--|
| RELEASED EC NO: J2005-2905 DRAWN: KENSUZUKI 2005/04/12 CHKD: NUKITA 2005/04/12 APPR: NUKITA 2005/04/13 REV: 0 | GENERAL TOLERANCES (UNLESS SPECIFIED) | | DIMENSION STYLE MM ONLY | | SCALE --- | DESIGN UNITS METRIC | THIRD ANGLE PROJECTION | |
| | 10 UNDER | ±0.2 | DRAWN BY KENSUZUKI | DATE 2005/04/01 | TITLE 501750-**72 TAPING PACKAGE -LEAD FREE- | | | |
| | 10 OVER 30 UNDER | ±0.25 | CHECKED BY NUKITA | DATE 2005/04/01 | MOLEX MOLEX INCORPORATED | | | |
| | 30 OVER | ±0.3 | APPROVED BY NUKITA | DATE 2005/04/01 | DOCUMENT NO. SD-501750-002 | | SHEET NO. 1 OF 2 | |
| | ANGULAR ±3 ° | | MATERIAL NO. SEE CHART | | | | | |
| DRAFT WHERE APPLICABLE MUST REMAIN WITHIN DIMENSIONS | | SIZE A3 | | THIS DRAWING CONTAINS INFORMATION THAT IS PROPRIETARY TO MOLEX INCORPORATED AND SHOULD NOT BE USED WITHOUT WRITTEN PERMISSION | | | | |

10 9 8 7 6 5 4 3 2 1

F

E

D

C

B

A

F

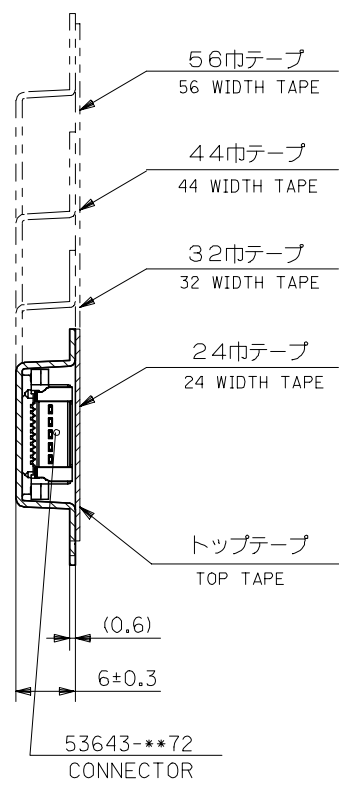
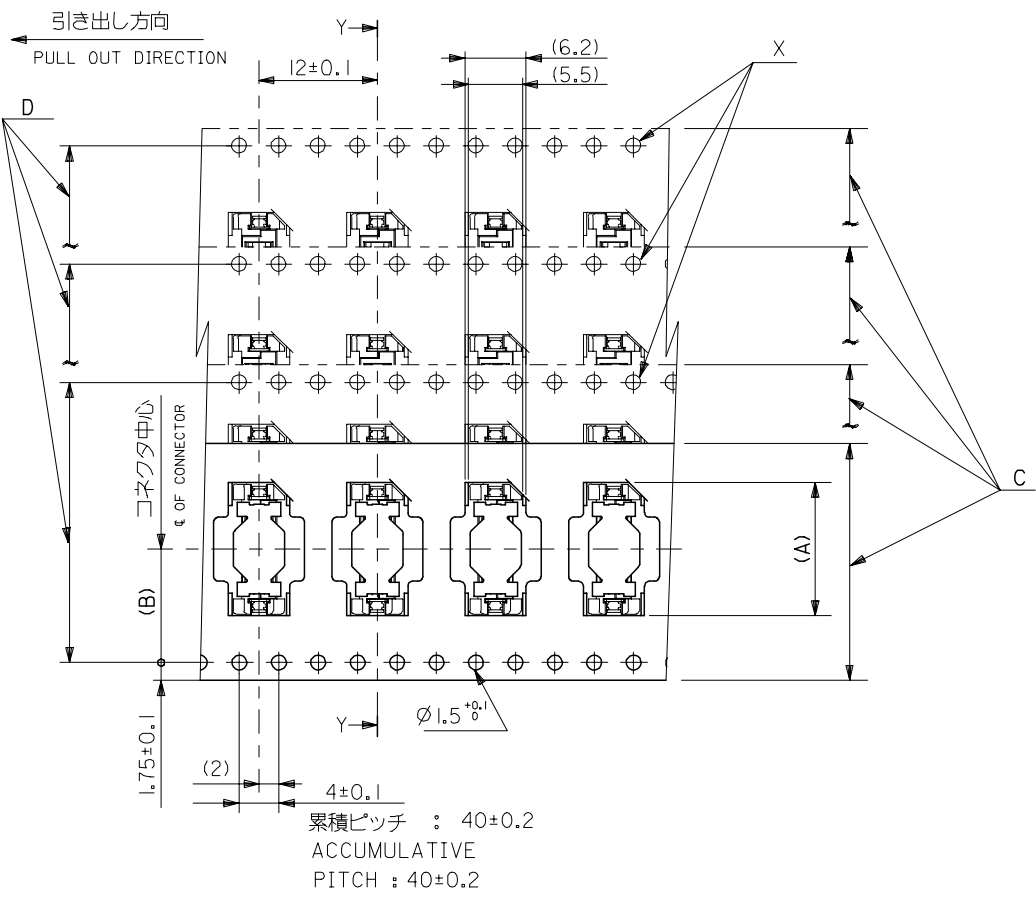
E

D

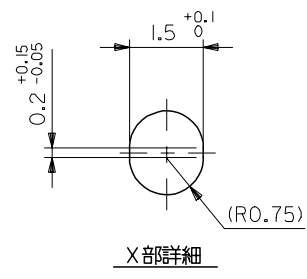
C

B

A



断面 Y-Y
SECTION Y-Y



X部詳細

累積ピッチ : 40±0.2
ACCUMULATIVE PITCH : 40±0.2

| | | | | | | | | |
|------|------|------|--------------------|----------------------------------|------|-------------|--------------|------------------------------|
| 49.4 | 45.4 | 40.4 | 44 ^{+0.3} | 20.2 | 32.6 | 501750-0874 | 80 | ○ |
| G | F | D | C | キャリアテープ幅 C CARRIER TAPE WIDTH | (B) | (A) | MATERIAL NO. | 極数 NO. OF CXTS. AVAILABLE |

| | | | | | | | | |
|--|--|-------|----------------------------|--|---|------------------------|---|--|
| RELEASED EC NO: J2005-2905 DRAWN: KENSUZUKI 2005/04/12 CHKD: NUKITA 2005/04/12 APPR: NUKITA 2005/04/13 | GENERAL TOLERANCES (UNLESS SPECIFIED) | | DIMENSION STYLE MM ONLY | | SCALE 10:1 | DESIGN UNITS METRIC | THIRD ANGLE PROJECTION | |
| | 10 UNDER | ±0.2 | DRAWN BY KENSUZUKI | | DATE 2005/04/01 | | TITLE 501750-**72 TAPING PACKAGE -LEAD FREE- | |
| | 10 OVER 30 UNDER | ±0.25 | CHECKED BY NUKITA | | DATE 2005/04/01 | | APPROVED BY MOLEX INCORPORATED | |
| | 30 OVER | ±0.3 | APPROVED BY NUKITA | | DATE 2005/04/01 | | DOCUMENT NO. SD-501750-002 | |
| | ANGULAR ±1 ° | | MATERIAL NO. SEE CHART | | SHEET NO. 2 OF 2 | | | |
| 0 | DRAFT WHERE APPLICABLE MUST REMAIN WITHIN DIMENSIONS | | SIZE A3 | | THIS DRAWING CONTAINS INFORMATION THAT IS PROPRIETARY TO MOLEX INCORPORATED AND SHOULD NOT BE USED WITHOUT WRITTEN PERMISSION | | | |