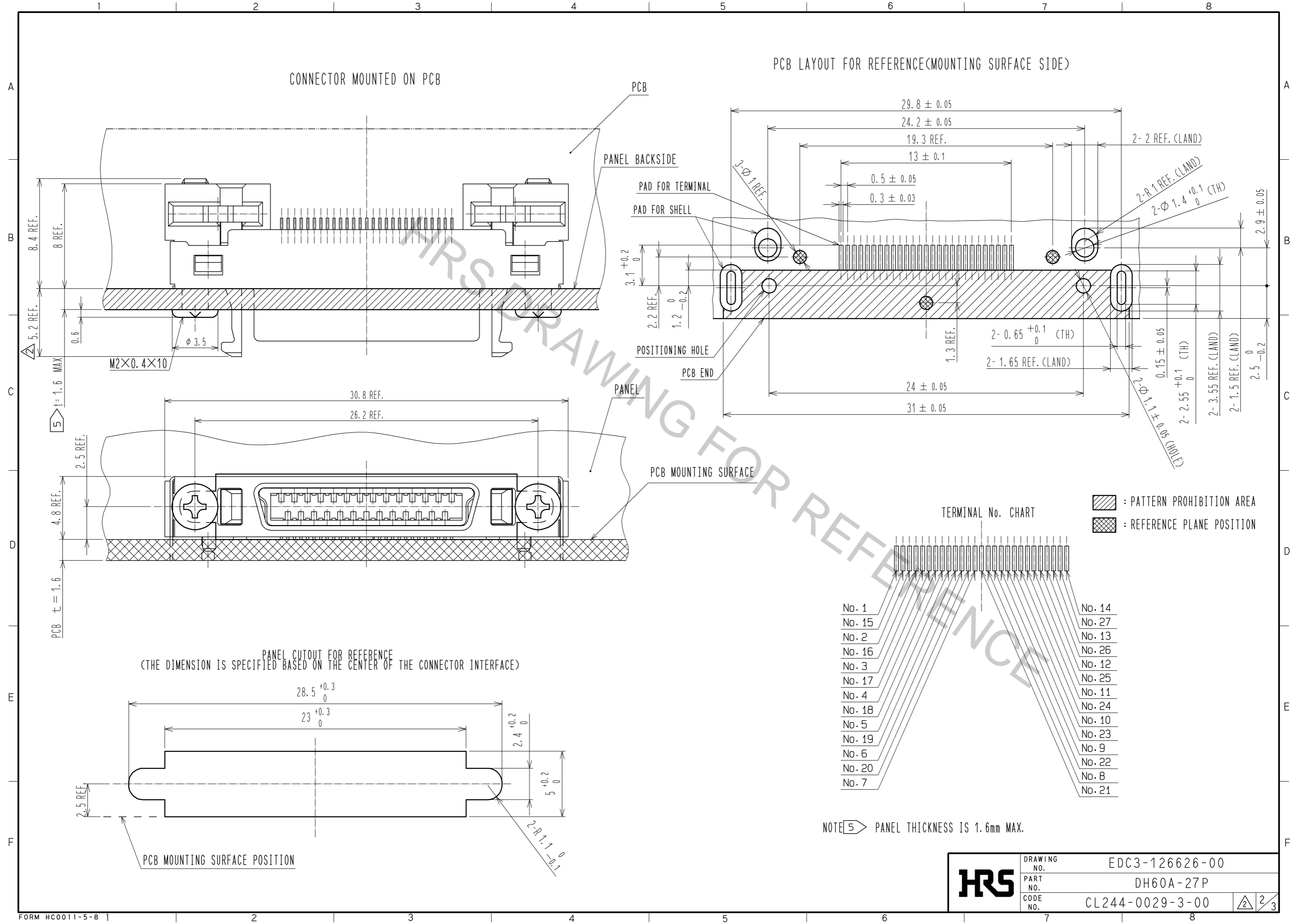
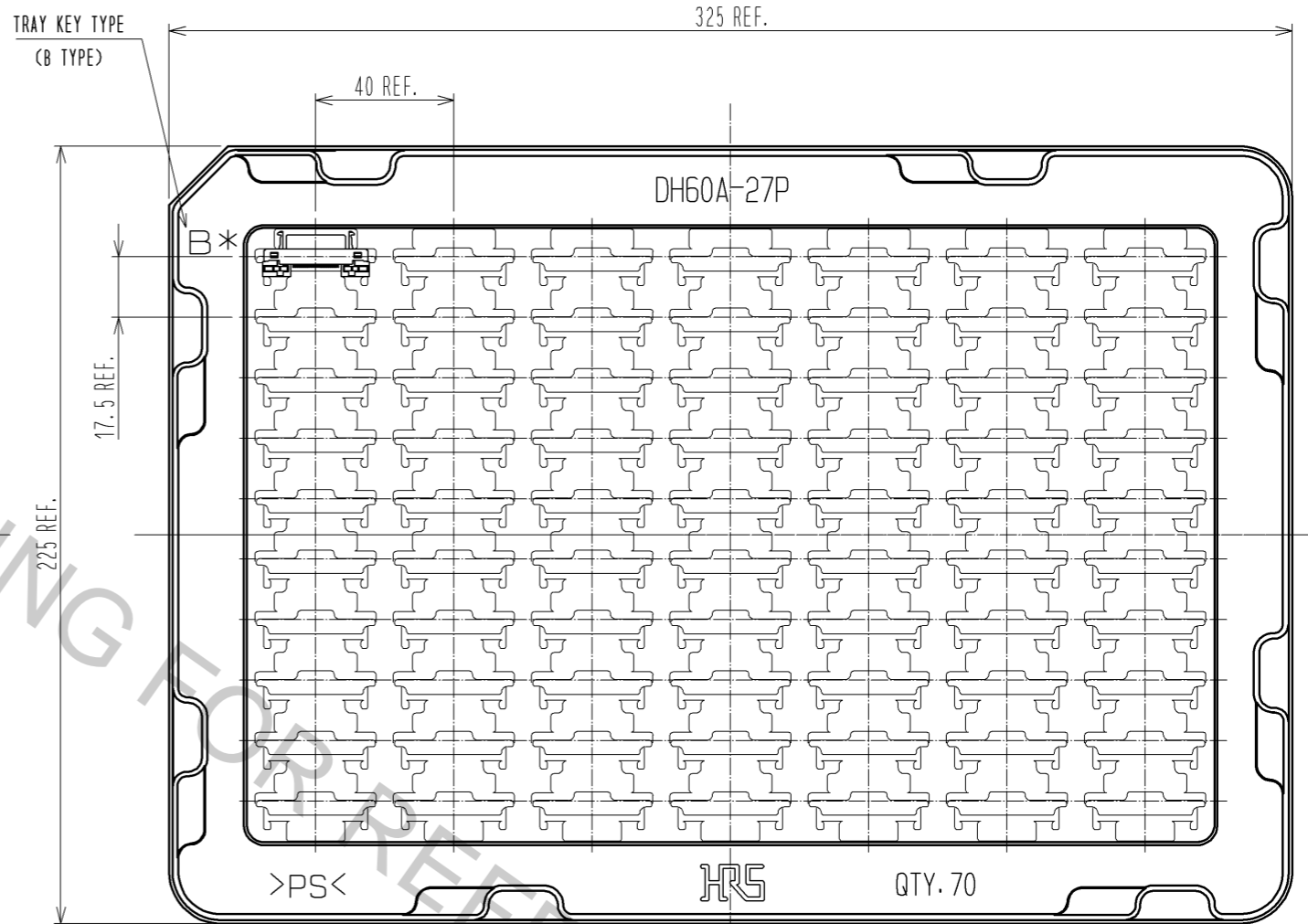
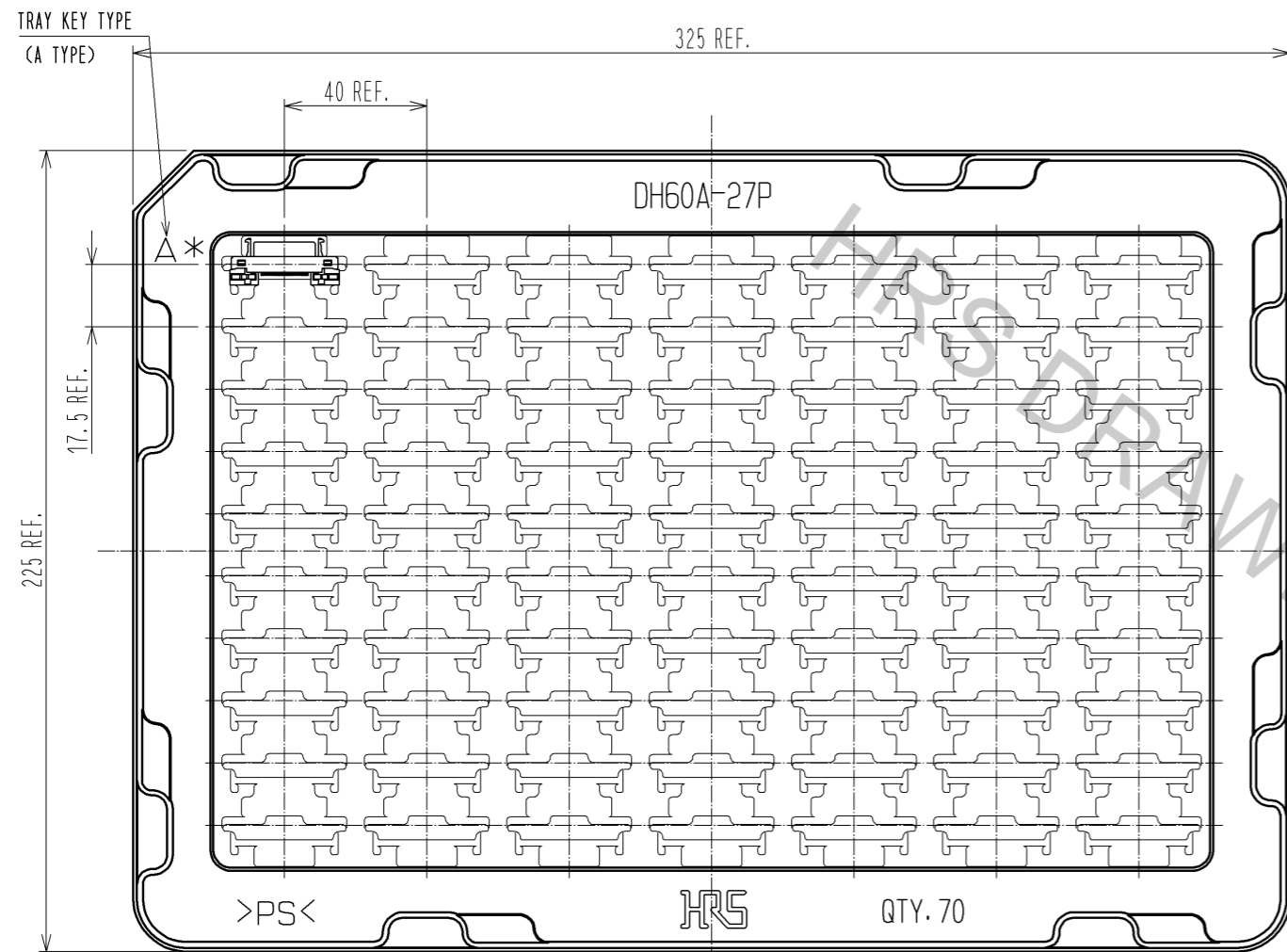


Apr.1.2017 Copyright 2017 HIROSE ELECTRIC CO., LTD. All Rights Reserved.

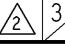


HRS	DRAWING NO.	EDC3-126626-00
	PART NO.	DH60A-27P
	CODE NO.	CL244-0029-3-00
		2/3

DRAWING FOR PACKING(1:2)



※TRAYS. A TYPE AND B TYPE. ARE PILED UP ALTERNATELY.

HRS	DRAWING NO.	EDC3-126626-00	 3/3
	PART NO.	DH60A-27P	
	CODE NO.	CL244-0029-3-00	