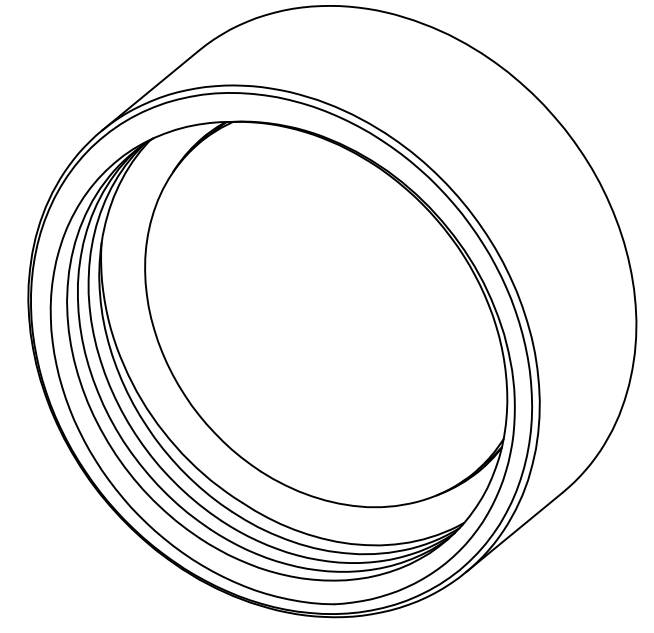
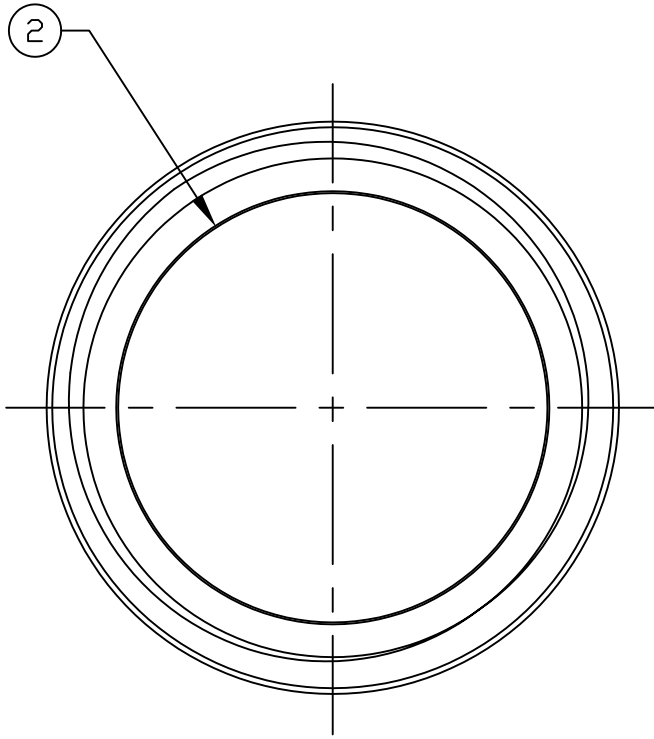
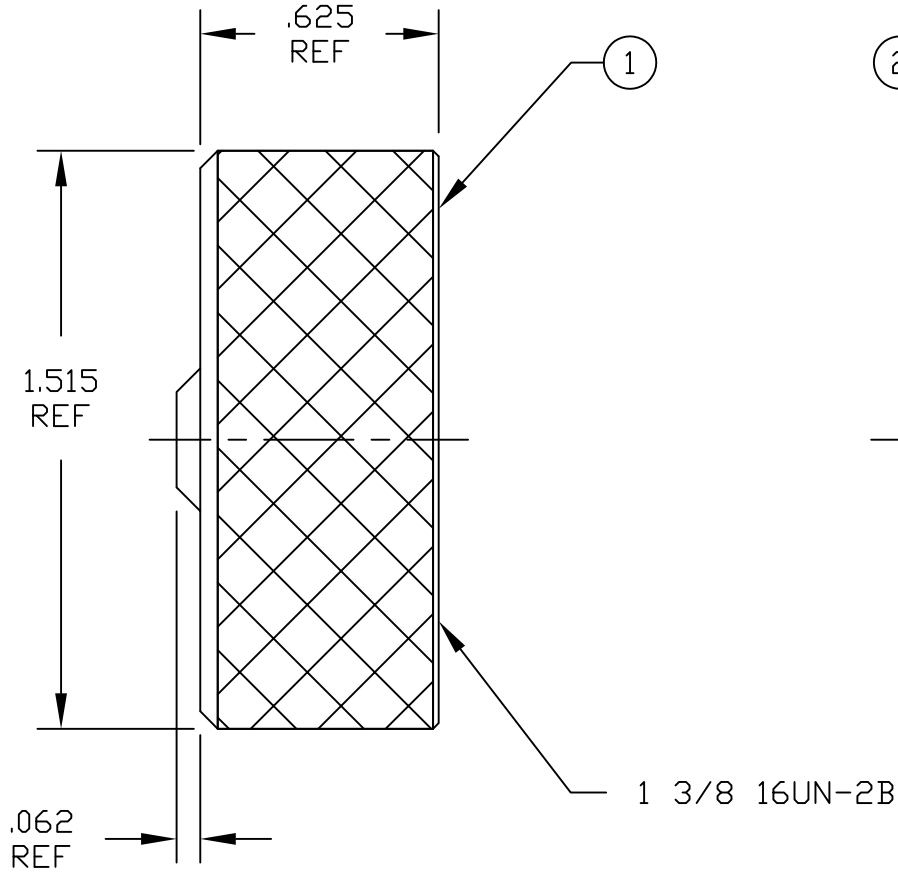


PART NUMBER	ENGINEERING NUMBER
1300700019	55-0298



NOTE:

- 1) SPECIFICATIONS:
QC FEMALE CLOSURE CAP
TEMPERATURE RANGE: -20°C TO 90°C
- 2) PACKAGING:
PART IS PACKAGED IN A POLY BAG WITH A BAR CODE LABEL ATTACHED TO THE OUTSIDE OF THE BAG.
- 3) ASSEMBLY IS RoHS COMPLIANT

ITEM	QTY	DESCRIPTION	MATERIAL	FINISH
2	1	GASKET	NEOPRENE	BLACK
1	1	QC FEMALE CLOSURE CAP	ALUMINUM	CLEAR ANODIZE

INITIAL RELEASE
EC NO: WNA2010-0439
DRWN: KJOZWIK 2010/01/19
CHKD: BWOODMAN
APPR: JFMURPHY 2010/01/20

QUALITY SYMBOLS
▽=0
▽C=0

GENERAL TOLERANCES (UNLESS SPECIFIED)		
	mm	INCH
4 PLACES	±---	±---
3 PLACES	±---	±.005
2 PLACES	±0.13	±.010
1 PLACE	±0.25	±.020
ANGULAR ±1/2°		
DRAFT WHERE APPLICABLE MUST REMAIN WITHIN DIMENSIONS		

DIMENSION STYLE	
IN	
DRAWN BY	DATE
KJOZWIK	2010/01/19
CHECKED BY	DATE
BWOODMAN	2010/01/19
APPROVED BY	DATE
JFMURPHY	2010/01/20
MATERIAL NO.	
SEE TABLE	
SIZE	B

SCALE	DESIGN UNITS	THIRD ANGLE PROJECTION	
1:1	INCH		
TITLE BRAD POWER QC FEMALE CLOSURE CAP			
MOLEX INCORPORATED		SHEET NO. 1 OF 1	
DOCUMENT NO. SD-130070-005			
THIS DRAWING CONTAINS INFORMATION THAT IS PROPRIETARY TO MOLEX INCORPORATED AND SHOULD NOT BE USED WITHOUT WRITTEN PERMISSION			