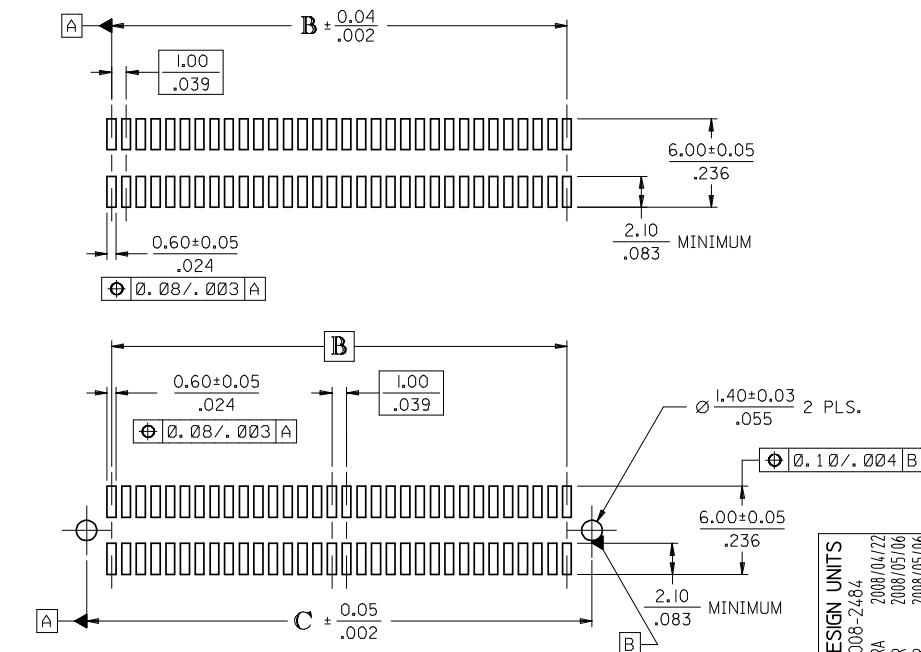


CIRCUIT SIZE	DIM. A	DIM. B	DIM. C	DIM. D
20	13.90 .547	9.00 .354	12.40 .488	12.22 .481
30	18.90 .744	14.00 .551	17.40 .685	17.22 .678
40	23.90 .941	19.00 .748	22.40 .882	22.22 .875
50	28.90 1.138	24.00 .945	27.40 1.079	27.22 1.072
60	33.90 1.335	29.00 1.142	32.40 1.276	32.22 1.269
64	35.90 1.413	31.00 1.220	34.40 1.354	34.22 1.347
70	38.90 1.531	34.00 1.339	37.40 1.472	37.22 1.465
80	43.90 1.728	39.00 1.535	42.40 1.669	42.22 1.662
84	45.90 1.807	41.00 1.614	44.40 1.748	44.22 1.741
90	48.90 1.925	44.00 1.732	47.40 1.866	47.22 1.859
100	53.90 2.122	49.00 1.929	52.40 2.063	52.22 2.056
110	58.90 2.319	54.00 2.126	57.40 2.260	57.22 2.253
120	63.90 2.516	59.00 2.323	62.40 2.457	62.22 2.450



RECOMMENDED PCB LAYOUT (WITH AND WITHOUT PEGS)

RECOMMENDED PCB THICKNESS: $1.00 \pm 0.10 / .039 \pm .004$

NOTES:

- 64-CIRCUIT RECEPTACLE ASSEMBLY WITH PEGS AND VACUUM CAP SHOWN FOR ILLUSTRATION PURPOSES ONLY.
- HOUSING MATERIAL: G.F. THERMOPLASTIC; UL RATING: 94V-0; COLOR: WHITE
TERMINAL MATERIAL: PHOSPHOR BRONZE; 0.205/.0080 THICK
VACUUM CAP MATERIAL: STAINLESS STEEL; 0.255/.0100 THICK
- COPLANARITY OF SMT TAILS: 0.10/.004 MAX.
- PACKAGING SPECIFICATIONS: REFER TO CHART ON SHEET 2.
- PEGS ARE OPTIONAL. REFER TO CHART ON SHEET 2.
- VACUUM PICK & PLACE CAP IS OPTIONAL. REFER TO CHART ON SHEET 2.
- THIS PART CONFORMS TO EIA STANDARD 700 AAAB FOR 1.0mm TWO-PART CONNECTORS FOR USE WITH PARALLEL PRINTED BOARDS.
- THIS PART, WHEN MATED WITH MOLEX 1.0mm PLUG CONNECTOR SERIES 71436, CONFORMS TO MOLEX PRODUCT SPECIFICATION PS-71436-9999. REFER TO CHART ON SHEET 2 FOR MATED STACK HEIGHTS FOR THIS RECEPTACLE.
- DIMENSIONS ARE IN mm/IN. INCH DIMENSIONS SHOWN FOR REFERENCE ONLY.

PLATING PER ES-88:

30 GOLD - 0.00076/.000030 MINIMUM GOLD PLATING IN CONTACT AREA,
0.0019/.000075 MINIMUM TIN PLATING IN TERMINAL AREA,
OVER 0.00127/.000050 MINIMUM NICKEL PLATING OVERALL

2	K
1	K
SHT	REV

CORRECT DESIGN UNITS EC NO: UCP2008-2484 DRAWN: MSIBARRA 2008/04/22 CHKD: BBARKER 2008/05/06 APPR: SMILLER 2008/05/06	QUALITY SYMBOLS ▽=0 ▽=0	GENERAL TOLERANCES (UNLESS SPECIFIED)	DIMENSION STYLE MM/IN	SCALE 4:1	DESIGN UNITS METRIC	THIRD ANGLE PROJECTION	
	4 PLACES ± --- ± ---	REED 1995/03/23	DRAWN BY REED	DATE 1995/03/23	TITLE ASSY, 1MM BOARD-TO-BOARD RECEPTACLE CONECTOR 8.30/3.27 HIGH		
	3 PLACES ± --- ± .005	CHECKED BY REED	DATE 1995/03/23	MOLEX MOLEX INCORPORATED			
	2 PLACES ± 0.13 ± .01	APPROVED BY BIXLER	DATE 1995/03/23	DOCUMENT NO. SDA-71439-2***	SHEET NO. 1 OF 2		
1 PLACE ± 0.25 ± ---	ANGULAR ± 1/2°	DRAFT WHERE APPLICABLE MUST REMAIN WITHIN DIMENSIONS	SEE TABLE	THIS DRAWING CONTAINS INFORMATION THAT IS PROPRIETARY TO MOLEX INCORPORATED AND SHOULD NOT BE USED WITHOUT WRITTEN PERMISSION			

STANDARD

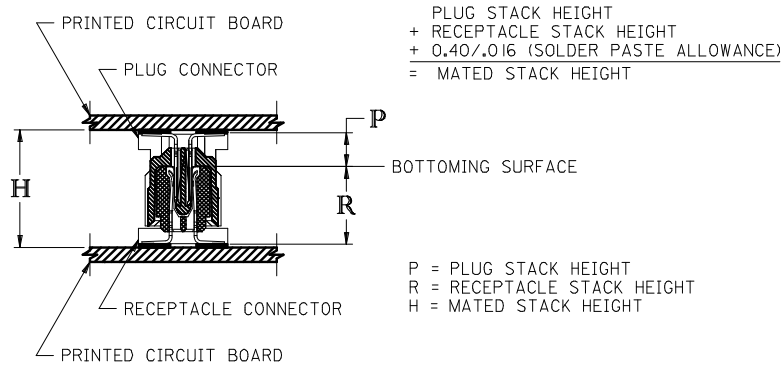
CIRCUIT SIZE	RECEPTACLE ASSY. ITEM NUMBER	PEGS	PICK & PLACE CAP	PACKAGING SPEC. NUMBER	PACKAGING TYPE
64	71439-2164	YES	NO	PK-70873-0601	TUBE
64	71439-2864	NO	YES	PK-70873-063	TAPE & REEL
64	71439-2564	NO	NO	PK-70873-0683	TUBE

SPECIAL

CIRCUIT SIZE	RECEPTACLE ASSY. ITEM NUMBER	PEGS	PICK & PLACE CAP	PACKAGING SPEC. NUMBER	PACKAGING TYPE
64	71439-2464	YES	YES	PK-70873-063	TAPE & REEL

RECOMMENDED PLUG/RECEPTACLE COMBINATION FOR MATED STACK HEIGHT PER EIA STANDARD 700 AAAB

MATED STACK HEIGHT	RECEPTACLE HEIGHT	RECEPTACLE SERIES NO.	PLUG HEIGHT	PLUG SERIES NO.
13.00/.512	8.30/.327	71439-2***	4.30/.169	71436-2***



CORRECT DESIGN UNITS EC NO: UCP2008-2484 DRN:MS1BARRA 2008/04/22 CHKD:BBARKER 2008/05/06 APPR:SMILLER 2008/05/06	QUALITY SYMBOLS ▽=0 ▽=0	GENERAL TOLERANCES (UNLESS SPECIFIED) mm INCH 4 PLACES ±--- ±--- 3 PLACES ±--- ±--- 2 PLACES ±--- ±--- 1 PLACE ±--- ±--- ANGULAR ±1/2°	DIMENSION STYLE MM/IN DRAWN BY REED DATE 1995/03/23 CHECKED BY REED DATE 1995/03/23 APPROVED BY BIXLER DATE 1995/03/23	SCALE --- DESIGN UNITS METRIC THIRD ANGLE PROJECTION	TITLE ASSY, 1MM BOARD-TO-BOARD RECEPTACLE CONNECTOR 8.30/.327 HIGH MOLEX MOLEX INCORPORATED
	DRAFT WHERE APPLICABLE MUST REMAIN WITHIN DIMENSIONS	MATERIAL NO. SEE TABLE	DOCUMENT NO. SDA-71439-2***	SHEET NO. 2 OF 2	
	SIZE C	THIS DRAWING CONTAINS INFORMATION THAT IS PROPRIETARY TO MOLEX INCORPORATED AND SHOULD NOT BE USED WITHOUT WRITTEN PERMISSION			
	REV K				