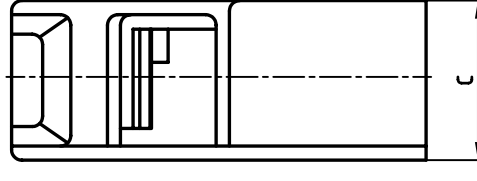
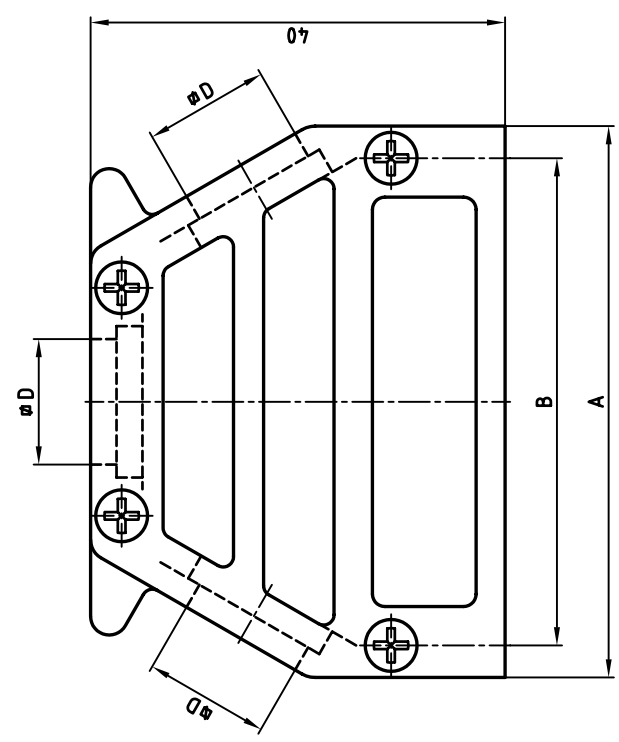
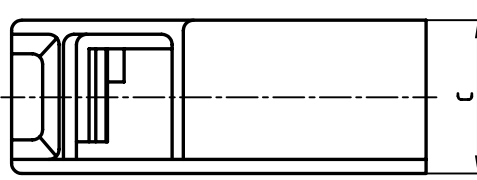
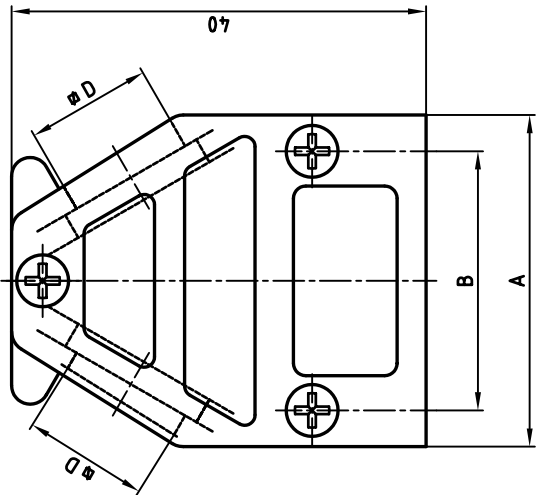


used for: D-SUB

ⓑ 15-50pos.



ⓑ 9pos.



No. of pos.	A	B	C	øD	Part-No.
9	31.0	25.0	15.4	12.1	165X11559X
15	39.3	33.3	15.4	12.1	165X11569X
25	53.2	47.0	15.4	12.1	165X11579X
37	69.5	63.5	15.4	12.1	165X11589X
50	67.0	61.1	17.9	14.6	165X11599X



THIS DRAWING MAY NOT BE COPIED OR REPRODUCED IN ANY WAY, AND MAY NOT BE PASSED ON TO A THIRD PARTY WITHOUT WRITTEN PERMISSION.
OWNERSHIP AND COPYRIGHT OF CONEC GMBH DO NOT ALTER CAD DRAWING BY HAND

rev.	description	date	name
2 x b	Ä 2321	15.09.2005	Lehmann

tolerance		name	
1999	date	Barcinski	name
drawn	13.08.	Mickenbecker	
appl.	13.08.		
norm			
e-old			

scale: 2:1
material: ABS METALLIZED

title: TWO-PIECE PLASTIC HOOD
9-50pos.
dwg no: 16K11JXA
[CAD/ REL.14] DIN-A 3
sh: 1/1
product no: SEE TABLE