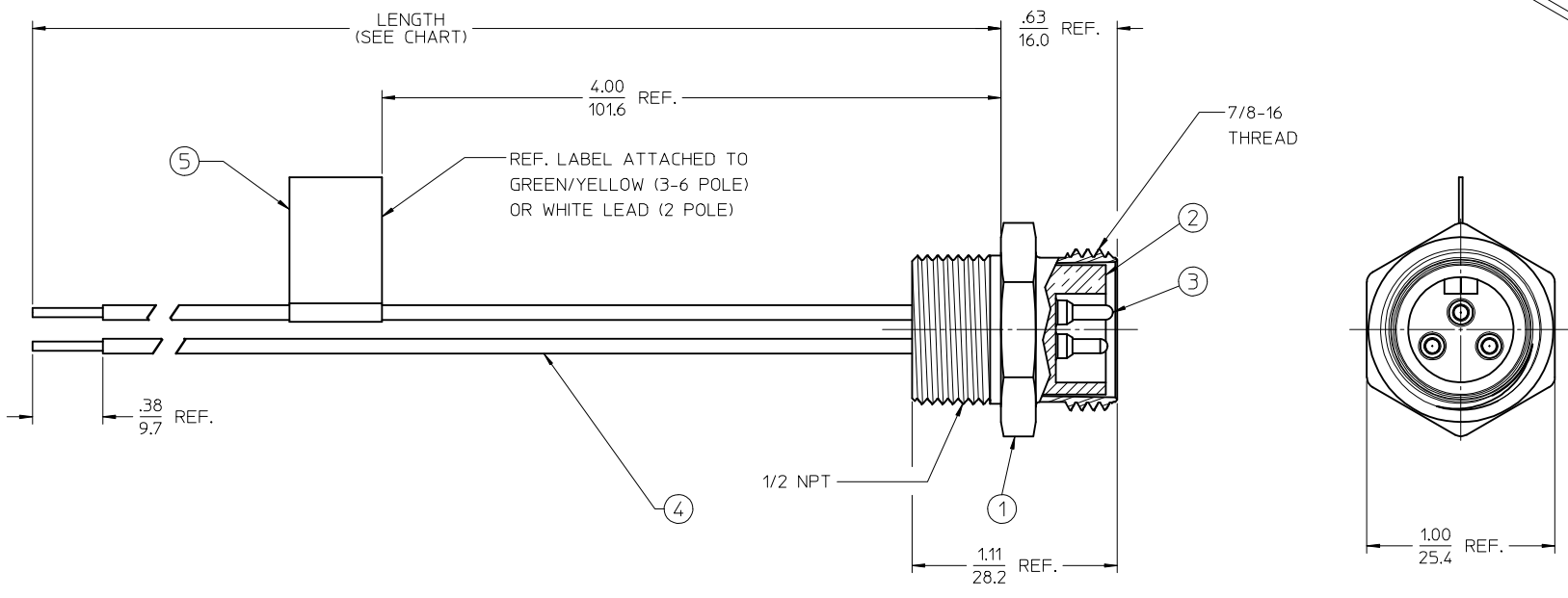
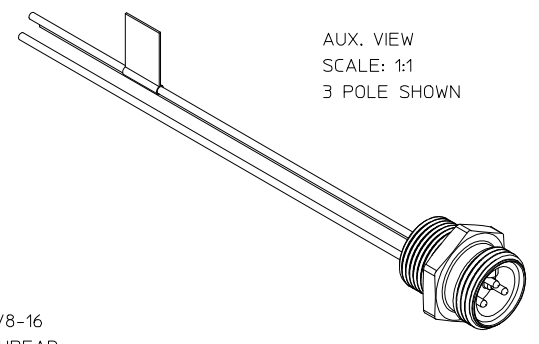
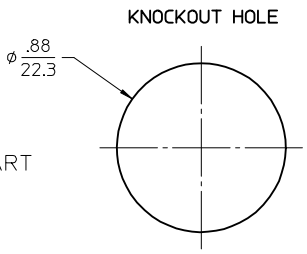


MATERIAL NO.	ENGINEERING NO.	LENGTH	POLES	ELECTRICAL SPECS
1300130203	1R3006A20A1201	12.00' +.75 -0 (304.8 +19.1 -0)	3	600 VOLTS, 13 AMPS
1300130216	1R3006A20F0601	6'0' +2.19 -0 (1.83M +55.6 -0)	3	600 VOLTS, 13 AMPS
1300130354	1R4006A20A1201	12.00' +.75 -0 (304.8 +19.1 -0)	4	600 VOLTS, 10 AMPS



- NOTES:
1. MATERIAL: SEE TABLE
 2. FINISHES: SEE TABLE
 3. MATES WITH: MINI CHANGE CABLE
 4. ELECTRICAL SPECIFICATIONS: SEE CHART
 5. ASSEMBLY IS ROHS COMPLIANT



FACE VIEW-MALE INSERT				
1 WHITE 2 BLACK	1 GREEN/YELLOW 2 BLACK 3 WHITE	1 BLACK 2 WHITE 3 RED 4 GREEN/YELLOW	1 WHITE 2 RED 3 GREEN/YELLOW 4 ORANGE 5 BLACK	1 WHITE 2 RED 3 GREEN/YELLOW 4 ORANGE 5 BLACK 6 BLUE

ITEM	QTY.	DESCRIPTION	MATERIAL	FINISH
5	1	LABEL	VINYL	BLACK/YELLOW
4	A/R	WIRE, 16 AWG, UL1015	PVC INSULATION	SEE WIRE DIAGRAM
3	A/R	CONTACT PIN	Cu ALLOY	GOLD PLATED
2	1	INSERT	PVC	YELLOW
1	1	RECEPTACLE SHELL	ST. STEEL	PASSIVATED

NEW SALES DWG. EC NO: JFG2013-0880 DR:WRNSTONE 2013/01/10 CHKD:K. JOZWIK 2013/01/25 APPR:J.MURPHY 2013/03/01	QUALITY SYMBOLS	GENERAL TOLERANCES (UNLESS SPECIFIED)	DIMENSION STYLE	SCALE	DESIGN UNITS	THIRD ANGLE PROJECTION																										
	$\nabla=0$ $\nabla=0$	<table border="1"> <tr> <th></th> <th>mm</th> <th>INCH</th> </tr> <tr> <td>4 PLACES</td> <td>± .15</td> <td>± .005</td> </tr> <tr> <td>3 PLACES</td> <td>± .10</td> <td>± .004</td> </tr> <tr> <td>2 PLACES</td> <td>± .08</td> <td>± .003</td> </tr> <tr> <td>1 PLACE</td> <td>± .03</td> <td>± .001</td> </tr> <tr> <td>0 PLACE</td> <td>± .00</td> <td>± .000</td> </tr> </table>		mm	INCH	4 PLACES	± .15	± .005	3 PLACES	± .10	± .004	2 PLACES	± .08	± .003	1 PLACE	± .03	± .001	0 PLACE	± .00	± .000	<table border="1"> <tr> <th>IN/MM</th> <th>DATE</th> </tr> <tr> <td>DRAWN BY RSTONE</td> <td>2013/01/10</td> </tr> <tr> <td>CHECKED BY K. JOZWIK</td> <td>2013/01/25</td> </tr> <tr> <td>APPROVED BY JFMURPHY</td> <td>2013/03/01</td> </tr> </table>	IN/MM	DATE	DRAWN BY RSTONE	2013/01/10	CHECKED BY K. JOZWIK	2013/01/25	APPROVED BY JFMURPHY	2013/03/01	1:1	INCH	
		mm	INCH																													
	4 PLACES	± .15	± .005																													
3 PLACES	± .10	± .004																														
2 PLACES	± .08	± .003																														
1 PLACE	± .03	± .001																														
0 PLACE	± .00	± .000																														
IN/MM	DATE																															
DRAWN BY RSTONE	2013/01/10																															
CHECKED BY K. JOZWIK	2013/01/25																															
APPROVED BY JFMURPHY	2013/03/01																															
DRAFT WHERE APPLICABLE MUST REMAIN WITHIN DIMENSIONS	ANGULAR ± 2°	MATERIAL NO. SEE CHART	TITLE MINI CHANGE MALE RECEPT. 16 AWG AC COLOR 1/2 NPT MTG THREAD, SS	DOCUMENT NO. SD-130013-040	SHEET NO. 1 OF 1																											

THIS DRAWING CONTAINS INFORMATION THAT IS PROPRIETARY TO MOLEX INCORPORATED AND SHOULD NOT BE USED WITHOUT WRITTEN PERMISSION