

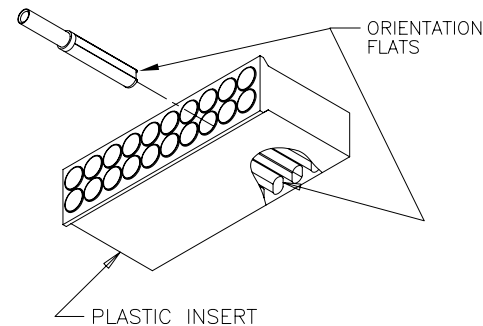
TYCO ELECTRONICS RESERVES THE RIGHT TO AMEND THIS DRAWING AT ANY TIME.  
 USERS SHOULD EVALUATE THE SUITABILITY OF THE PRODUCT FOR THEIR APPLICATION.

REVISIONS			
LTR	DESCRIPTION	DATE	APPROVED
A	INITIAL RELEASE PER DCR# T-32062	OCTOBER/1/03	M.HIGGY
B	REVISED PER DCR# C050474	June/13/05	M.HIGGY

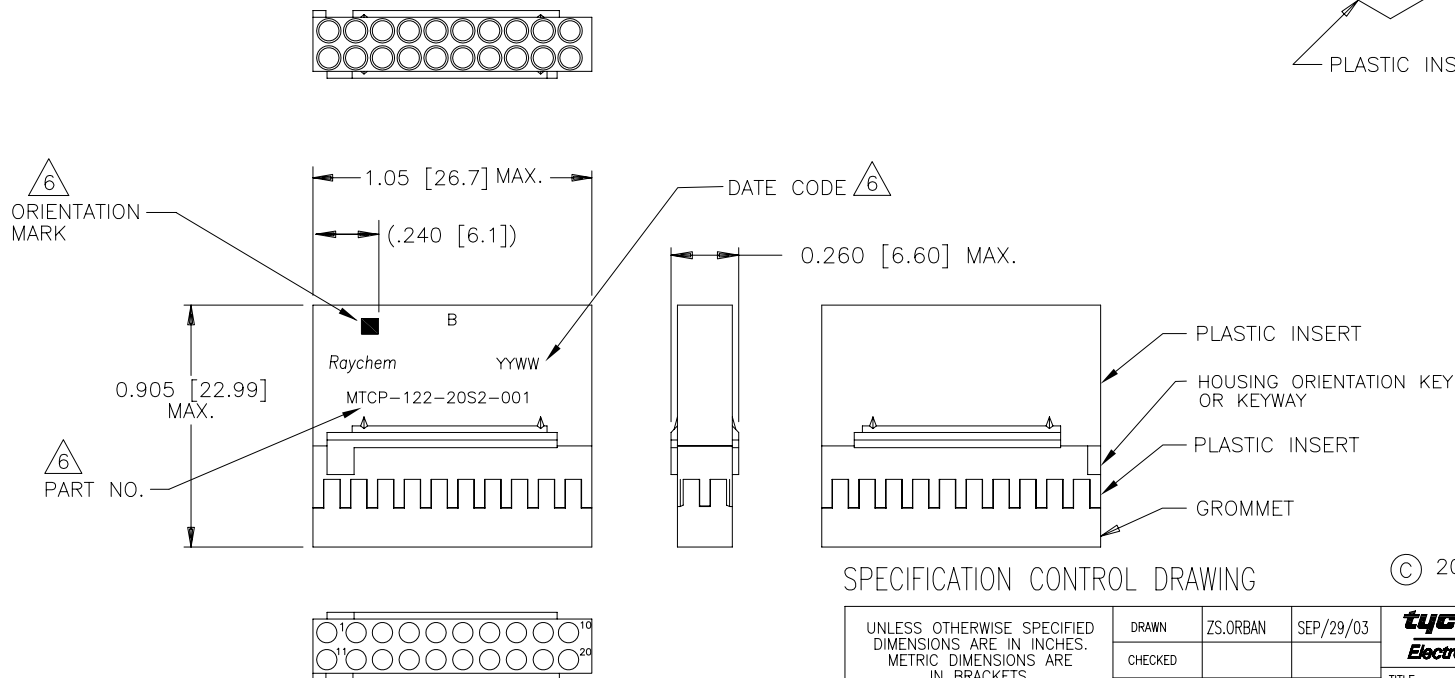
NOTES:

- THIS INSERT IS DESIGNED FOR USE IN TYCO/RAYCHEM CONNECTOR HOUSING MTC100-JH2-XXX. (SEE TYCO/RAYCHEM INFORMATION DRAWING D-659-0097 AND HOUSING SPECIFICATION CONTROL DRAWING FOR FURTHER DETAILS).
- PART DESCRIBED HEREON IS SUPPLIED AS SHOWN. REFER TO TYCO/RAYCHEM INFORMATION DRAWING D-659-0097 FOR CRIMP TOOLS OR ADDITIONAL CONTACTS, SEALING PLUGS OR TOOLS.
- GROMMET DESIGNED TO SEAL ON WIRES HAVING AN INSULATION DIAMETER OF 0.030 TO 0.065.
- PERFORMANCE:  
THIS PRODUCT IS DESIGNED TO MEET THE APPLICABLE REQUIREMENTS OF RAYCHEM SPECIFICATION C-6115.
- MATERIALS:  
 A) PLASTIC INSERT HIGH GRADE POLYARYLENE THERMOPLASTIC  
 B) GROMMET FLUOROSILICONE PER MIL-R-25988  
 C) RETENTION CLIPS (20) BERYLLIUM COPPER 172 PER ASTM B194  
 (INSIDE PLASTIC INSERT)

If this document is printed it becomes uncontrolled.  
 Check for the latest revision.



6 PART NUMBER, RAYCHEM, B, DATE CODE AND ORIENTATION MARK ARE STAMPED APPROXIMATELY AS SHOWN.



SPECIFICATION CONTROL DRAWING

© 2005 Tyco Electronics Corporation.  
 All rights reserved

UNLESS OTHERWISE SPECIFIED DIMENSIONS ARE IN INCHES. METRIC DIMENSIONS ARE IN BRACKETS.	DRAWN	ZS.ORBAN	SEP/29/03		TYCO ELECTRONICS 300 Constitution Drive Menlo Park, CA. 94025 USA				
	CHECKED								
	DECIMALS	.XXX ±			TITLE				
	ANGLES	.X ±			INSERT, SOCKET, SECONDARY, 20 CAVITY, SIZE 22-20 REMOVABLE CONTACT 2 INCH CONNECTOR SPECIAL MARKING-MTC100 SERIES				
WEIGHT	2.80 g MAX.			APPROVED	M.HIGGY	SEP/29/03	SIZE A CAGE CODE: 06090 DO NOT SCALE THIS DRAWING	DWG. NO. MTCP-122-20S2-001	REV B SHEET 1 OF 1

DWG. NO. MTCP-122-20S2-001 SHEET 1