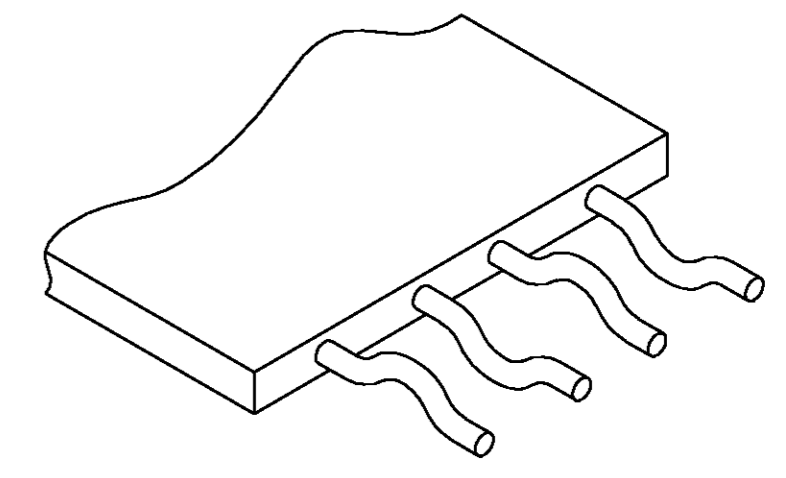
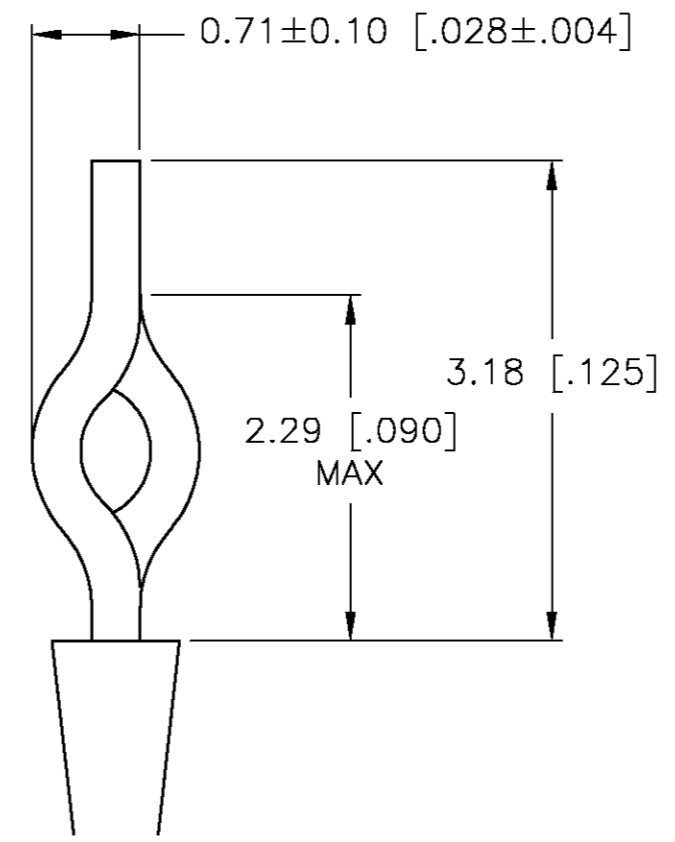
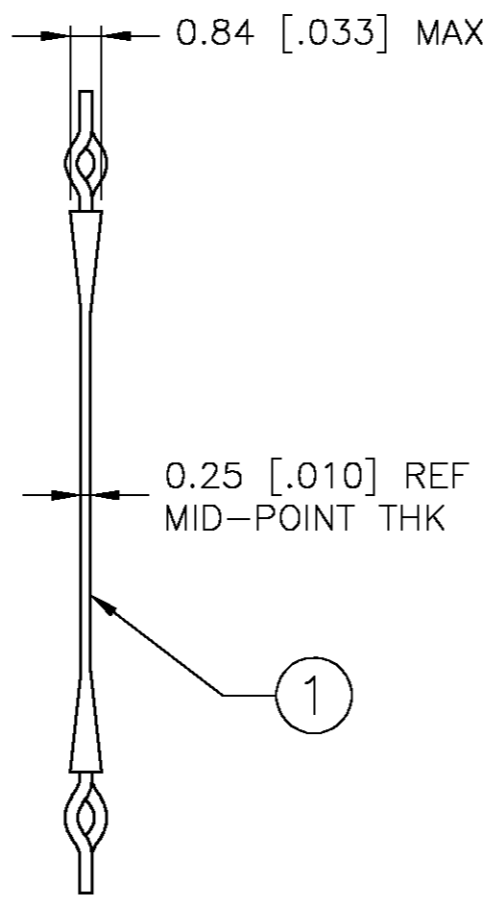
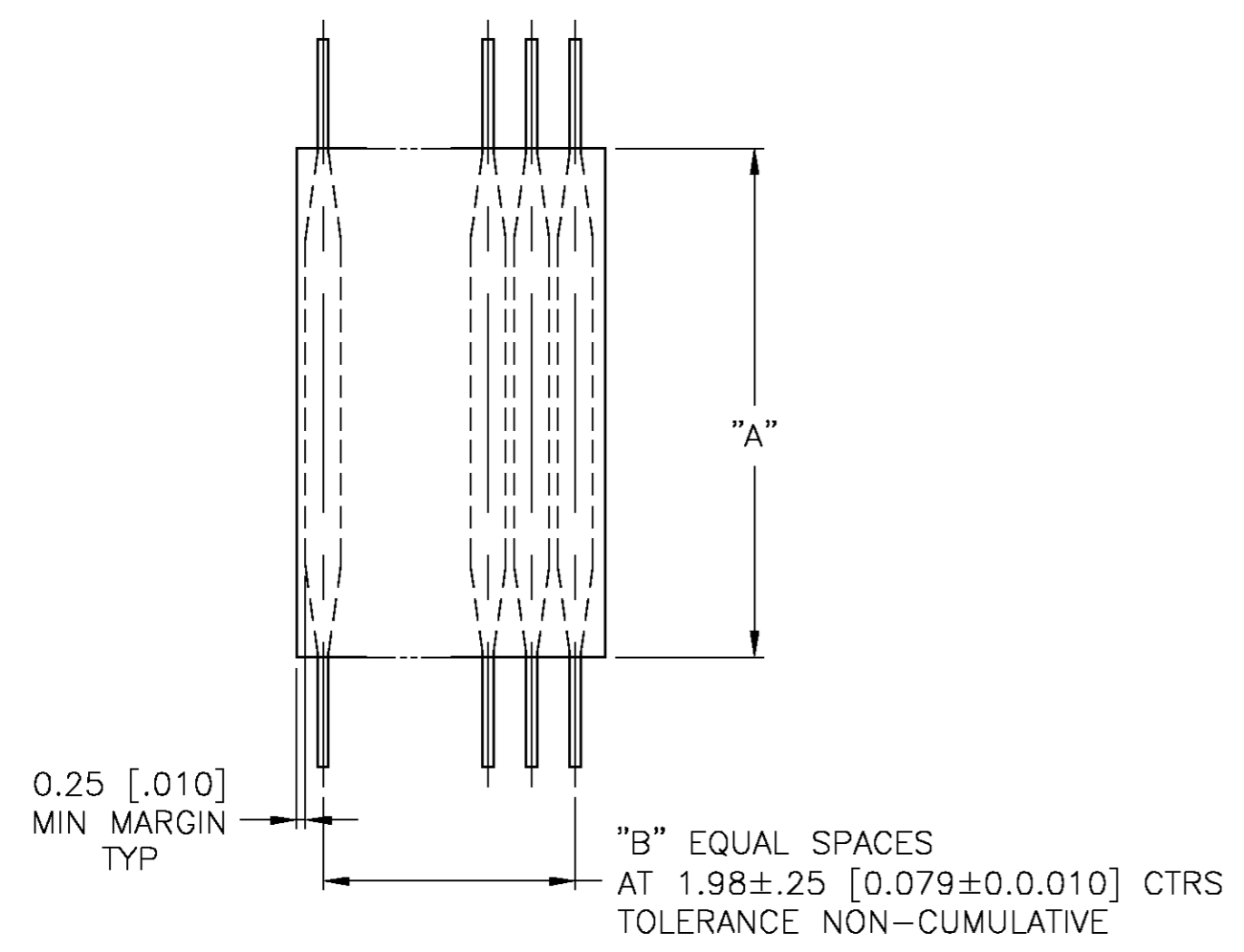


THIS DRAWING IS UNPUBLISHED. RELEASED FOR PUBLICATION  
 © COPYRIGHT BY TYCO ELECTRONICS CORPORATION. ALL RIGHTS RESERVED.

LOC	DIST	REVISIONS					
GE	00	P	LTR	DESCRIPTION	DATE	DWN	APVD
		0		EC 0K41-0417-04	05MAY04	JRB	HDS



Z BEND CONDUCTORS

MATERIAL SPECIFICATIONS:  
 1. INSULATOR - NOMEX  
 CONDUCTORS - TIN PLATED COPPER

24	23	81.28±1.52 [3.20±.06]	2--4
4	3	81.28±1.52 [3.20±.06]	-4
NUMBER OF CONDUCTORS	B	DIM A	P/N

2	AFSN-73.2Z-24	2-1642624-4
1	AFSN-73.2Z-4	1642624-4
	PRODUCT DESCRIPTION	TYCO P/N

THIS DRAWING IS A CONTROLLED DOCUMENT.		DWN JR BUSSARD 05 MAY 2004	<b>tyco</b> Tyco Electronics Corporation Harrisburg, Pa 17105-3608	
DIMENSIONS: mm [INCHES]	TOLERANCES UNLESS OTHERWISE SPECIFIED:	CHK HD SMITH 05 MAY 2004	NAME FLEXSTRIP, NOMEX, 0.078 CENTERLINE W/Z-END CONFIGURATION	
	0 PLC ± -	APVD HD SMITH 05 MAY 2004	SIZE A2	CAGE CODE 00779
	1 PLC ± -	PRODUCT SPEC	DRAWING NO C=1642624	RESTRICTED TO -
	2 PLC ± .01	APPLICATION SPEC	SCALE 5:1	SHEET 1 OF 1
	3 PLC ± .005		REV 0	
	4 PLC ± -			
MATERIAL NOTED	FINISH -	WEIGHT -	CUSTOMER DRAWING	