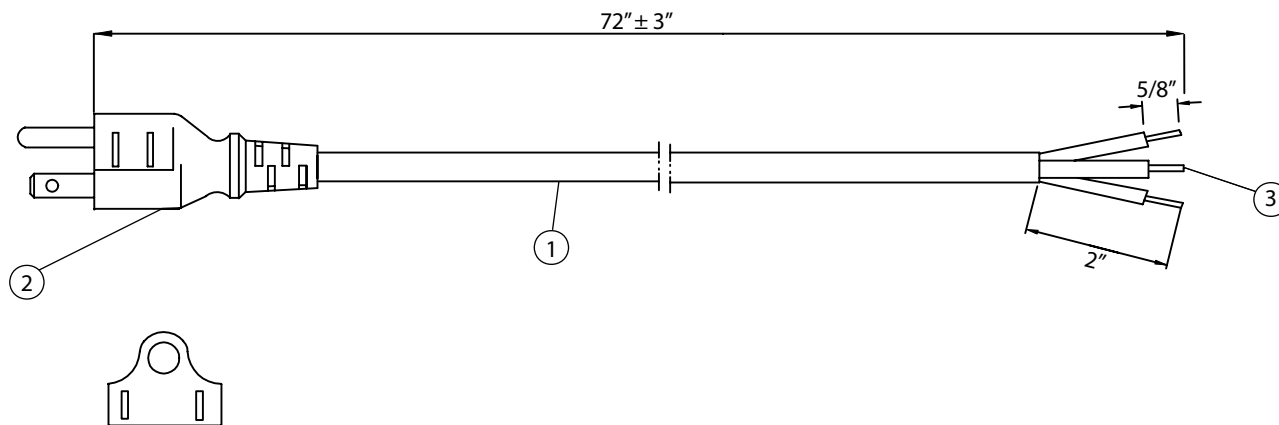


THESE DRAWINGS ARE THE PROPERTY OF QUALTEK ELECTRONICS AND NOT TO BE REPRODUCED FOR OR COMMUNICATED TO A THIRD PARTY WITHOUT THE EXPRESS WRITTEN PERMISSION OF AN OFFICER OF QUALTEK ELECTRONICS.

REVISION			
REV.	DESCRIPTION	DATE	APPROVED
B	RoHS Compliancy	06-01-06	D.P.



CONTROLLED

NOTES:

1. CORDAGE: SJT, 18AWG / 3C, UNSHIELDED, NA COLOR CODE, TEMP. RATING 60°C, RATING: 125V 10A, JACKET COLOR: GRAY
2. PLUG: NEMA 5-15P
3. OTHER END: ROJ 2"; STRIP 5/8"
4. APPROVALS: UL, cUL
5. ROHS COMPLIANT

Dim range (mm)		Tolerance +/- (mm)		Qualtek Electronics Corp. PPC DIVISION		
0-1		0.15		Part Number: 211017-06 RoHS Compliant		
1-6		0.20		Description: POWER CORD		
6-18		0.30		UNIT: in Rev.B		
18-50		0.50				
50-120		0.70		Drawn / Date	Checked / Date	Approved / Date
120-250		0.90		B. Zhang 06-05-03	06-05-03	JJH / 06-05-03
250-500		1.20				