

Subminiature Fuse, 8.5 mm, Time-Lag T, Telecom, 250 VAC, 63 VDC



IEC 60127-3 · 250VAC · Time-Lag T



Standards

- IEC 60127-3/4
- UL 248-14
- CSA C22.2 no. 248.14
- Telcordia GR-1089
- UL 60950 / IEC 60950
- ITU-T K.20 and K.21
- TIA-968-A

Approvals

- VDE Certificate Number: 40013529
- UL File Number: E41599
- CSA File Number: 51172

Applications

- xDSL and ADSL linecards and modems

References

[Packaging Details](#)

Corresponding Fuseholder [FMS \(250V\)](#)

Last order date: 31.12.2016


We recommend for new applications the type [MST 250](#)

MST 250 is fully compatible to MSU 250

Weblinks

[pdf datasheet](#), [html-datasheet](#), [General Product Information](#), [Packaging details](#), [Approvals](#), [CE declaration of conformity](#), [RoHS](#), [CHINA-RoHS](#), [REACH](#), [Distributor-Stock-Check](#), [Detailed request for product](#)

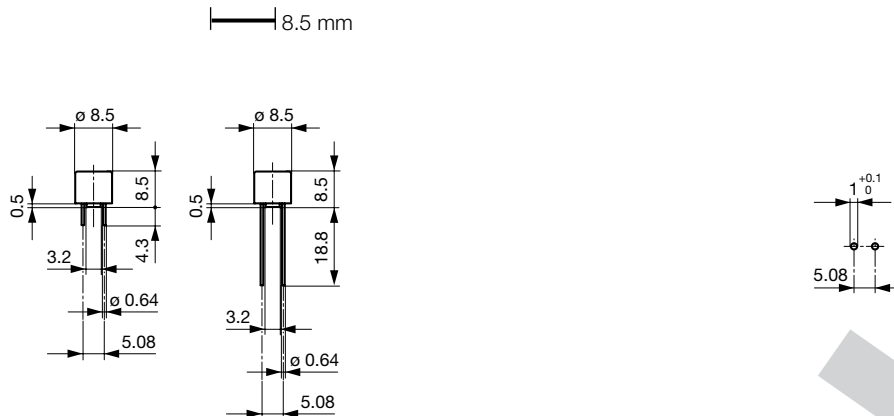
Technical Data

| | |
|------------------------------|---|
| Rated Voltage | 250 VAC, 63 VDC |
| Rated current | 0.25 - 3.15A |
| Breaking Capacity | 35A - 50A |
| Characteristic | Time-Lag T |
| Mounting | PCB, THT |
| Admissible Ambient Air Temp. | -40 °C to 85 °C |
| Climatic Category | 40/085/21 acc. to IEC 60068-1 |
| Material: Housing | Thermoplastic, UL 94V-0 |
| Material: Terminals | Tin-Plated Copper |
| Unit Weight | 0.53 g |
| Storage Conditions | 0 °C to 40 °C, max. 70% r.h. |
| Product Marking |  Type, Rated current, Rated Voltage, Characteristic, Approvals |

| | |
|------------------------------|---|
| Soldering Methods | Wave, Iron Soldering Profile |
| Solderability | 235 °C / 2 sec acc. to IEC 60068-2-20, Test Ta |
| Resistance to Soldering Heat | 260 °C / 10sec acc. to IEC 60068-2-20, Test Tb |
| Current Carrying Capacity | acc. to EIA/IS-722, Test 4.3.3 |
| Moisture Resistance Test | (acc. to EIA/IS-722, Test 4.4.3) |
| Terminal Strength | Tensile load min. 9 N (acc. to EIA/IS-722, Test 4.5.1) |
| Case Resistance | acc. to EIA/IS-722, Test 4.7 >100 MΩ (between leads and body) |
| Mechanical Shock | (acc. to EIA/IS-722, Test 4.9) |
| Vibration, High Frequency | Shock 20 gn, 20 min, 10-2 kHz, 12 cyc. (acc. to EIA/IS-722, Test 4.10) |
| Resistance to Solvents | MIL-STD-202, Method 215A |
| Flammability | UL 94V-0 (acc. to EIA/IS-722, Test 4.12) |

Detailed information on product approvals, code requirements, usage instructions and detailed test conditions can be looked up in [General Product Information](#)

Dimension

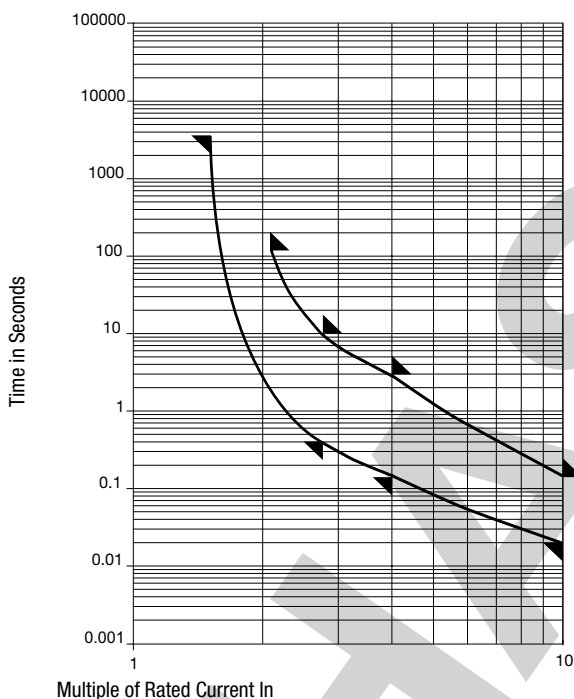


Drilling diagram

Pre-Arcing Time

| Rated Current In | 1.5 x In min. | 2.1 x In max. | 2.75 x In min. | 2.75 x In max. | 4.0 x In min. | 4.0 x In max. | 10.0 x In min. | 10.0 x In max. |
|------------------|---------------|---------------|----------------|----------------|---------------|---------------|----------------|----------------|
| 0.25 A - 3.15 A | 60 min | 120 s | 400 ms | 10 s | 150 ms | 3 s | 20 ms | 150 ms |

[Kennlinien]



All Variants

| Rated Current [A] | Rated Voltage [VAC] | Voltage Drop 1.0 In typ. [mV] | Power Dissipation 1.5 In typ. [mW] | Melting I ² t 10.0 Intyp. [A ² s] | GR-1089-CORE [A] | UL60950 | ITU - Lightning Surge [A] | ITU - Power Induc- | ITU - Power Contact [A] | S | L | T | Order Number |
|-------------------|---------------------|-------------------------------|------------------------------------|---|------------------|---------|---------------------------|--------------------|-------------------------|---|---|---|--------------|
| 0.25 | 250 | 120 | 80 | 0.6 | > 14.0 | | 25.3 | ● | 35.0 | ● | | | 2040.0609 |
| 0.315 | 250 | 120 | 100 | 0.8 | > 14.0 | | 29.2 | ● | 35.0 | ● | | | 2040.0610 |
| 0.4 | 250 | 110 | 100 | 1.1 | > 14.0 | | 39.5 | ● | 35.0 | ● | | | 2040.0611 |
| 0.5 | 250 | 100 | 100 | 2.5 | > 14.0 | | 57 | ● | 35.0 | ● | | | 2040.0612 |
| 0.63 | 250 | 90 | 100 | 4 | > 14.0 | | 67 | ● | 35.0 | ● | | | 2040.0613 |
| 0.8 | 250 | 80 | 200 | 8 | > 14.0 | ● | 67 | ● | 35.0 | ● | | | 2040.0614 |

| Rated Current [A] | Rated Voltage [VAC] | Voltage Drop 1.0 In typ. [mV] | Power Dissipation 1.5 I _n typ. [mW] | Melting I ² t 10.0 Intyp. [A ² s] | GR-1089-CORE [A] | UL60950 | ITU - Lightning Surge [A] | ITU - Power Induc- | ITU - Power Contact [A] | S | L | T | Order Number |
|-------------------|---------------------|-------------------------------|--|---|------------------|---------|---------------------------|--------------------|-------------------------|---|---|---|--------------|
| 1 | 250 | 70 | 200 | 12 | > 14.0 | ● | 67 | ● | 35.0 | ● | | | 2040.0615 |
| 1.25 | 250 | 70 | 300 | 15 | > 14.0 | ● | 67 | ● | 35.0 | ● | | | 2040.0616 |
| 1.6 | 250 | 60 | 300 | 30 | > 14.0 | ● | 67 | ● | 50.0 | ● | | | 2040.0617 |
| 2 | 250 | 60 | 300 | 34 | > 14.0 | ● | 67 | ● | 50.0 | ● | | | 2040.0618 |
| 2.5 | 250 | 50 | 400 | 55 | > 14.0 | ● | 67 | ● | 50.0 | ● | | | 2040.0619 |
| 3.15 | 250 | 50 | 500 | 76 | > 14.0 | ● | 67 | ● | 50.0 | ● | | | 2040.0620 |
| 0.25 | 250 | 120 | 80 | 0.6 | > 14.0 | | 25.3 | ● | 35.0 | | ● | | 2040.0709 |
| 0.315 | 250 | 120 | 100 | 0.8 | > 14.0 | | 29.2 | ● | 35.0 | | ● | | 2040.0710 |
| 0.4 | 250 | 110 | 100 | 1.1 | > 14.0 | | 39.5 | ● | 35.0 | | ● | | 2040.0711 |
| 0.5 | 250 | 100 | 100 | 2.5 | > 14.0 | | 57 | ● | 35.0 | | ● | | 2040.0712 |
| 0.63 | 250 | 90 | 100 | 4 | > 14.0 | | 67 | ● | 35.0 | | ● | | 2040.0713 |
| 0.8 | 250 | 80 | 200 | 8 | > 14.0 | ● | 67 | ● | 35.0 | | ● | | 2040.0714 |
| 1 | 250 | 70 | 200 | 12 | > 14.0 | ● | 67 | ● | 35.0 | | ● | | 2040.0715 |
| 1.25 | 250 | 70 | 300 | 15 | > 14.0 | ● | 67 | ● | 35.0 | | ● | | 2040.0716 |
| 1.6 | 250 | 60 | 300 | 30 | > 14.0 | ● | 67 | ● | 50.0 | | ● | | 2040.0717 |
| 2 | 250 | 60 | 300 | 34 | > 14.0 | ● | 67 | ● | 50.0 | | ● | | 2040.0718 |
| 2.5 | 250 | 50 | 400 | 55 | > 14.0 | ● | 67 | ● | 50.0 | | ● | | 2040.0719 |
| 3.15 | 250 | 50 | 500 | 76 | > 14.0 | ● | 67 | ● | 50.0 | | ● | | 2040.0720 |
| 0.25 | 250 | 120 | 80 | 0.6 | > 14.0 | | 25.3 | ● | 35.0 | | ● | | 2040.0809 |
| 0.315 | 250 | 120 | 100 | 0.8 | > 14.0 | | 29.2 | ● | 35.0 | | ● | | 2040.0810 |
| 0.4 | 250 | 110 | 100 | 1.1 | > 14.0 | | 39.5 | ● | 35.0 | | ● | | 2040.0811 |
| 0.5 | 250 | 100 | 100 | 2.5 | > 14.0 | | 57 | ● | 35.0 | | ● | | 2040.0812 |
| 0.63 | 250 | 90 | 100 | 4 | > 14.0 | | 67 | ● | 35.0 | | ● | | 2040.0813 |
| 0.8 | 250 | 80 | 200 | 8 | > 14.0 | ● | 67 | ● | 35.0 | | ● | | 2040.0814 |
| 1 | 250 | 70 | 200 | 12 | > 14.0 | ● | 67 | ● | 35.0 | | ● | | 2040.0815 |
| 1.25 | 250 | 70 | 300 | 15 | > 14.0 | ● | 67 | ● | 35.0 | | ● | | 2040.0816 |
| 1.6 | 250 | 60 | 300 | 30 | > 14.0 | ● | 67 | ● | 50.0 | | ● | | 2040.0817 |
| 2 | 250 | 60 | 300 | 34 | > 14.0 | ● | 67 | ● | 50.0 | | ● | | 2040.0818 |
| 2.5 | 250 | 50 | 400 | 55 | > 14.0 | ● | 67 | ● | 50.0 | | ● | | 2040.0819 |
| 3.15 | 250 | 50 | 500 | 76 | > 14.0 | ● | 67 | ● | 50.0 | | ● | | 2040.0820 |

Availability for all products can be searched real-time:<http://www.schurter.com/en/Stock-Check/Stock-Check-SCHURTER>

IEC: 35 A @ 250 VAC

UL: 35 A @ 250 VAC / 50 A @ 63 VDC

Packaging Unit S = Plastic Bag (100 pcs.)
 L = Bulk (100 pcs.)
 T = Taped 36 cm Reel (750 pcs.)