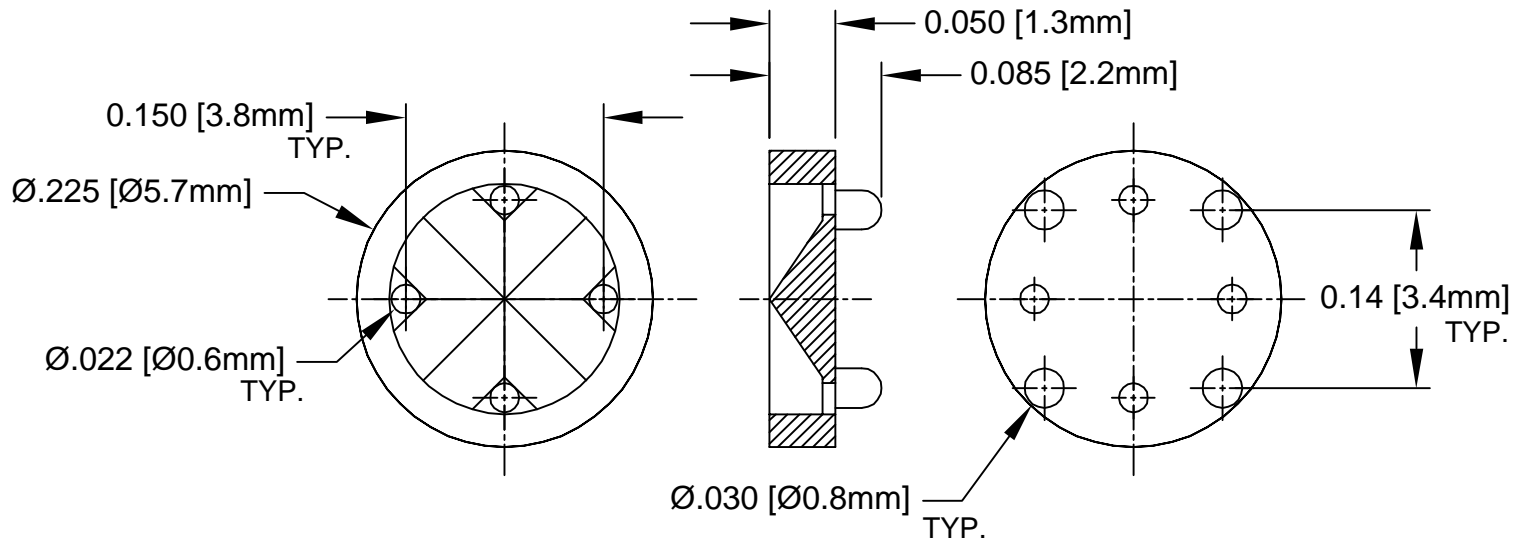

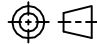


| REV. | DESCRIPTION | DATE | APPROVED |
|------|--------------------------------|----------|----------|
| A | Engineering Update w/o Changes | 02/17/04 | M. C. |
| | | | |
| | | | |
| | | | |



- MATERIAL: NYLON 6/6, 94V-2, WHITE. BIVAR MATERIAL CODE 04-WE.
BASF ULTRAMID NYLON 6/6 A3K WHITE.
- GENERAL SPECIFICATIONS: BIVAR MOLDED COMPONENT SPECIFICATION BV00-E101.

| STANDARD TOLERANCE (UNLESS OTHERWISE SPECIFIED) | |  BIVAR [®] 4 THOMAS, IRVINE, CA. 92618 TEL: (949) 951-8808 FAX: (949) 951-3974 | | | |
|--|------------------|--|--------------------------|----------------------------|------------------------------|
| DECIMALS | ANGULAR |  TITLE: PERM-O-PAD TO-18 MOUNT | | | |
| .X $\pm .1$ | X° $\pm 1^\circ$ | | | | |
| .XX $\pm .01$ | | | | | |
| .XXX $\pm .005$ | | DESIGNED: Shane Irving | DATE: 07/16/98 | PART NO: 205-085 | REVISION: A |
| | | CHECKED: D. Green | DATE: 02/17/04 | CAGE CODE : 32559 | SHEET # 1 OF 1 |
| CAD GENERATED DOCUMENT, DO NOT MEASURE DRAWING. | | | | | |