

### Features

- High rejection
- Low Loss

### Description

Surface mount, silver (Ag) coated ceramic duplexer.

Weight: 3.9 grams typical

Material: Filter is composed of a ceramic block plated with Ag and a shield made of nickel silver plated steel.

Filter complies with RoHS standards.



### Electrical Specifications

Parameter	Frequency (MHz)	Typical @ 25°C	Spec. @ 25°C	Spec. -40°C to +85°C
<b>Low Band Response</b>				
Passband Insertion Loss	806 - 824	2.4 dB	2.8 dB max	3.0 dB max
Passband Return Loss @ TX	806 - 824	13.5 dB	10.0 dB min	10.0 dB min
Passband Return Loss @ ANT	806 - 824	13.5 dB	50.0 dB min	50.0 dB min
Attenuation:	851 - 869	53 dB	50.0 dB min	50.0 dB min
<b>High Band Response</b>				
Passband Insertion Loss	851 - 869	2.5 dB	2.8 dB max	3.0 dB max
Passband Return Loss @ RX	851 - 869	13.5 dB	10.0 dB min	10.0 dB min
Passband Return Loss @ ANT	851 - 869	13.5 dB	50.0 dB min	50.0 dB min
Attenuation:	806 - 824	53 dB	50.0 dB min	50.0 dB min
	896 - 941	33.0 dB	30.0 dB min	30.0 dB min
Power into any port			3 Watt max	

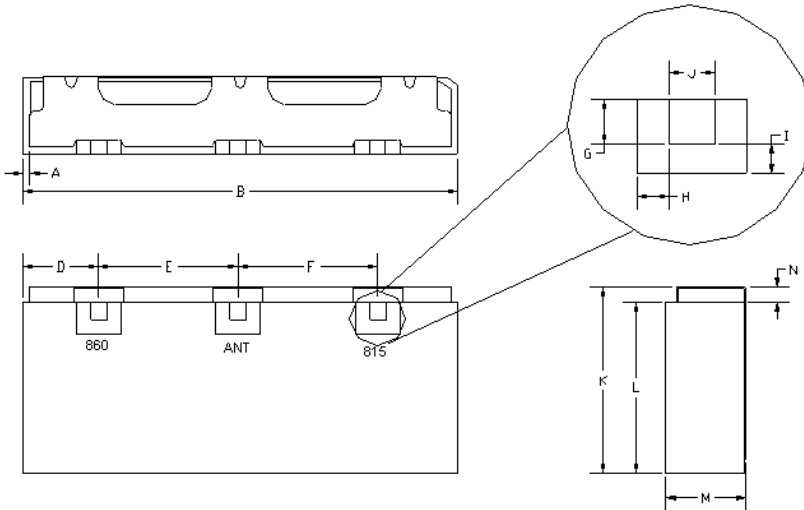
Note: Supplier shall test each filter to the critical electrical specifications of the above table. Any subsequent audits may deviate from in value due to measurement repeatability among different test systems. Such deviations shall not exceed the following limits:

Specification Allowance	
Insertion Loss	0.1 dB
Return Loss	1.0 dB
Stopbands	1.0 dB

\*This product is covered by one or more of the following U.S. and foreign patents including: US 4,692,726;US 4,742,562; US 4,800,348;US 4,829,274;US 5,146,193;EP 0573597;DE 0573597;FR 0573597;JP 508149/92;KR 142171;US 5,162,760;US 5,218,329;US 5,250,916;US 5,327,109;US 5,488,335;CA 2114029;FR 9306297;GB 2273393;JP 3205337;KR 115113;CN 93106228.4;US 5,512,866;EP 0706719;DE 0706719;FR 0706719;GB 0706719;CN 95190359.4;US 5,602,518;US 5,721,520;US 5,745,018;EP 0910875;DE 0910875;DK 0910875;FR 0910875;GB 0910875;IE 0910875;JP 505182/98;KR 10-323013;US 5,994,978;US 6,462,629;CN 00810420.4;US 6,559,735;US 6,650,202;US 6,834,429. Other US and foreign patents pending.

\*CTS Corporation 2006 reserves all copyrights in the layout, design and configuration of the patterns on this product.\*

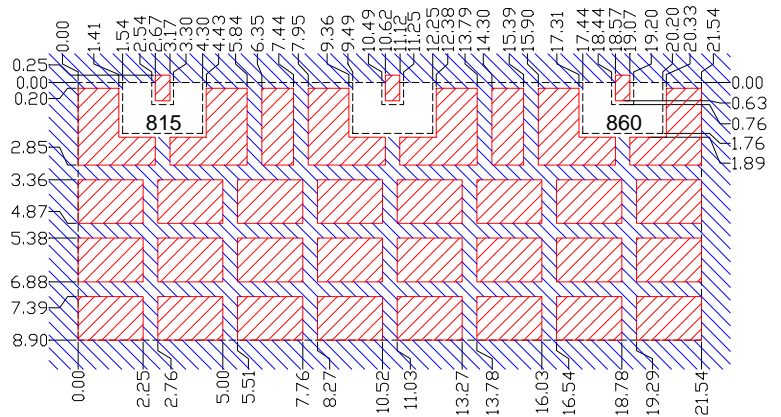
### Mechanical Drawing



Dim	Nominal (mm)	Tolerance (mm) +/- or max
A		
B	21.54	max
C		
D	2.72	0.20
E	7.95	0.20
F	7.95	0.20
G	0.76	0.13
H	1.00	0.13
I	1.00	0.13
J	0.76	0.13
K	9.80	0.30
L	8.90	0.20
M	4.00	max
*N	0.80	0.13

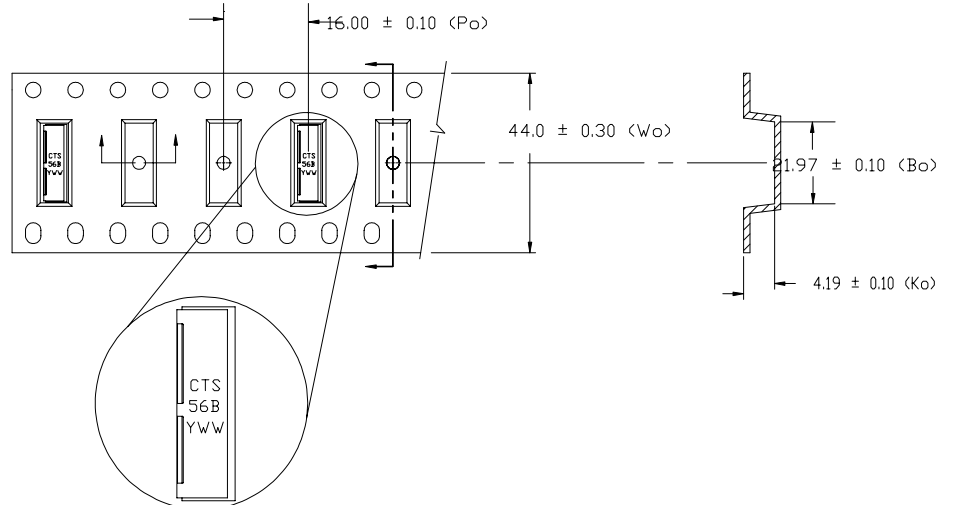
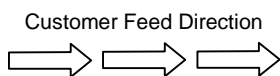
### Electrical response

### PCB Layout



In Development

### Packaging and Marking



DIMENSION	UNITS	SPECIFICATION
REEL DIAMETER	mm	330
REEL WEIGHT	kg	2.6
REEL QUANTITY	ea.	500