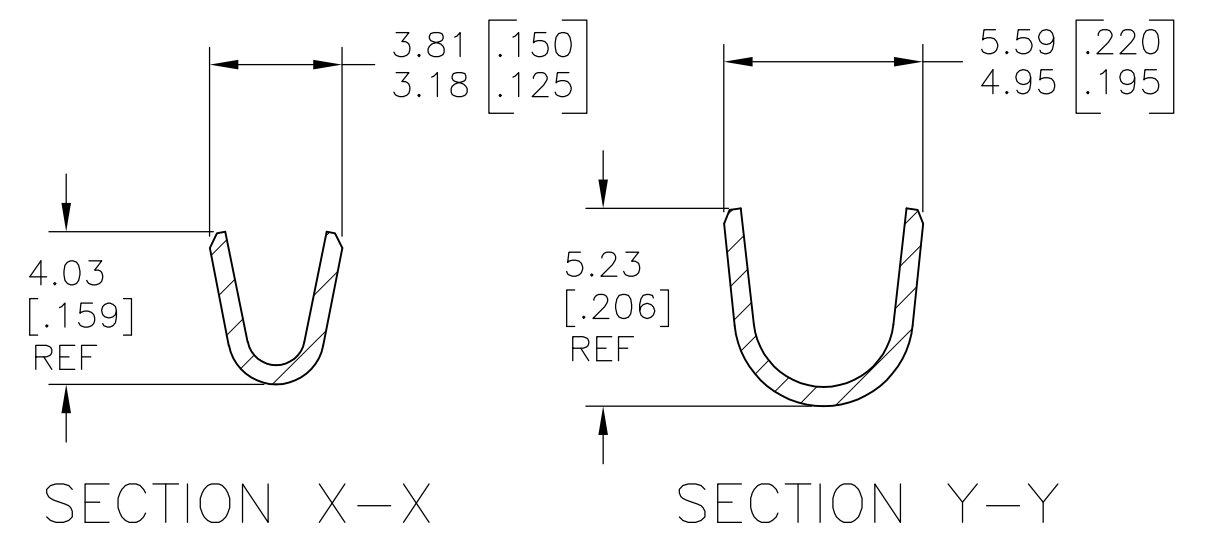
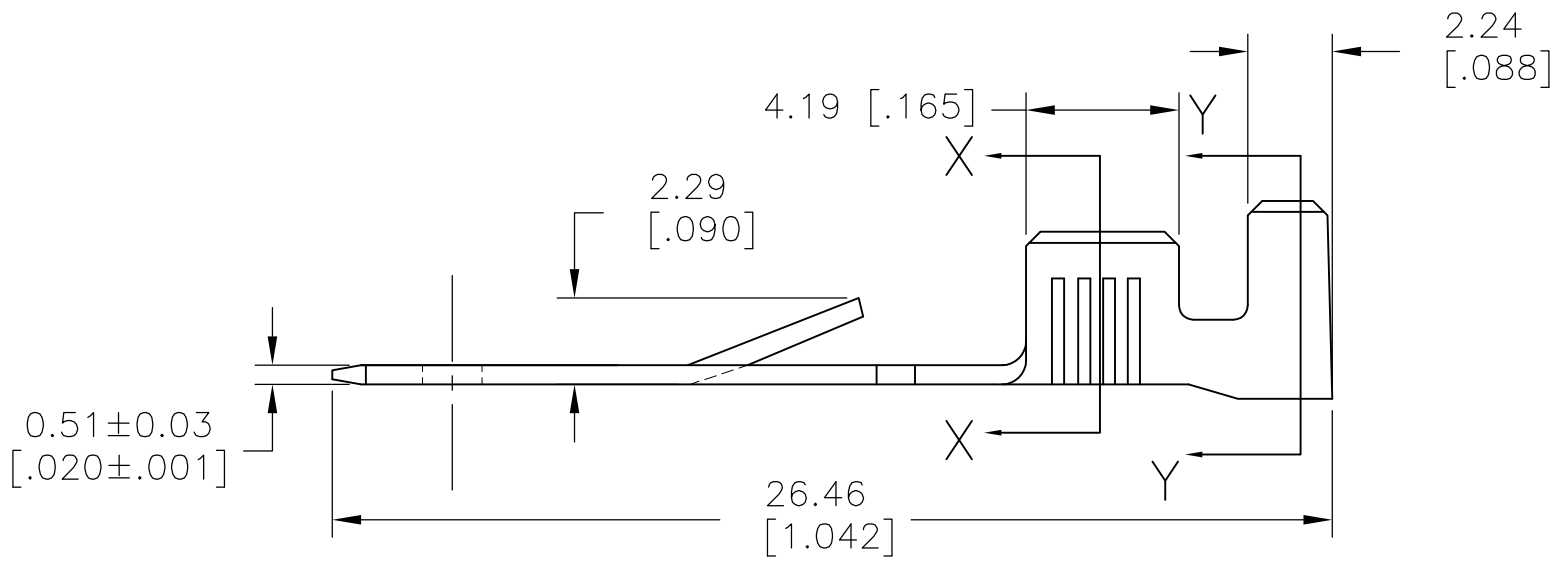
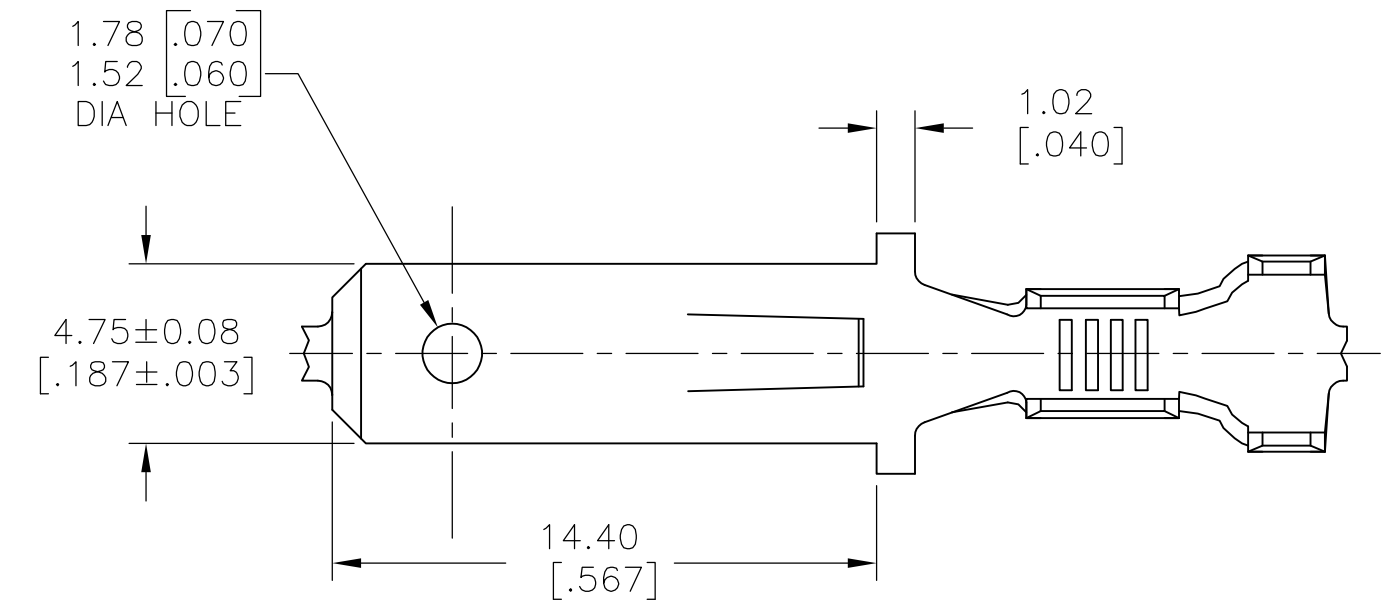


THIS DRAWING IS UNPUBLISHED. RELEASED FOR PUBLICATION
 © COPYRIGHT - By - ALL RIGHTS RESERVED.

LOC	DIST	REVISIONS			
P	LTR	DESCRIPTION	DATE	DWN	APVD
AF	50	D	REVISED PER ECR-13-015517	03OCT13	JR PD

- 1 CONTINUOUS STRIP ON REELS
- 2 WIRE SIZE IS #18-#14 AWG
- 3 INSULATION RANGE IS 2.79-3.81 [.110-.150] DIA



1742800-1
PART NO

THIS DRAWING IS A CONTROLLED DOCUMENT.		DWN jr_ruth 24JUN09	TE Connectivity				
DIMENSIONS: mm [INCHES]		CHK PETE_DESANTIS 24JUN09					
TOLERANCES UNLESS OTHERWISE SPECIFIED: 0 PLC ± - 1 PLC ± - 2 PLC ± 0.25 [.010] 3 PLC ± - 4 PLC ± - ANGLES ± 5°		APVD PETE_DESANTIS 24JUN09	NAME TAB, FASTIN-FASTON, 4.75 [.187] SERIES				
MATERIAL BRASS		FINISH TIN PLATE	PRODUCT SPEC -	SIZE A3	CAGE CODE 00779	DRAWING NO C-1742800	RESTRICTED TO -
CUSTOMER DRAWING			WEIGHT -	SCALE 5:1	SHEET 1 OF 1	REV D	