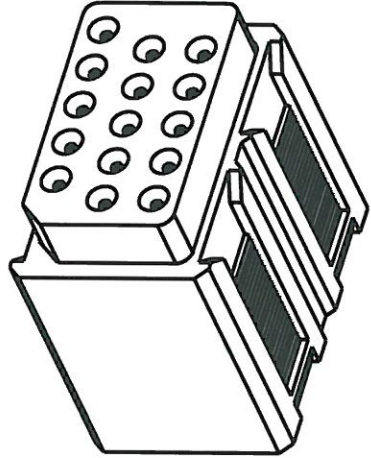
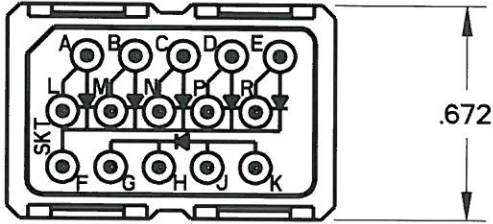
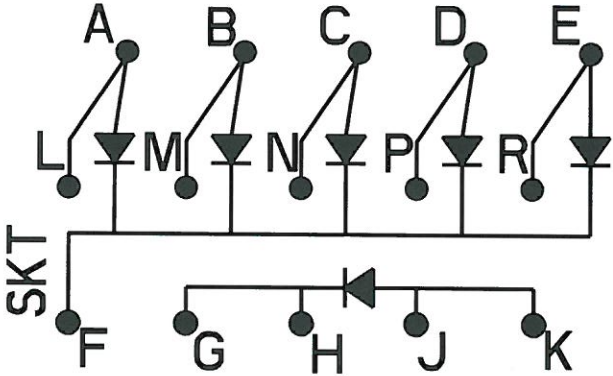


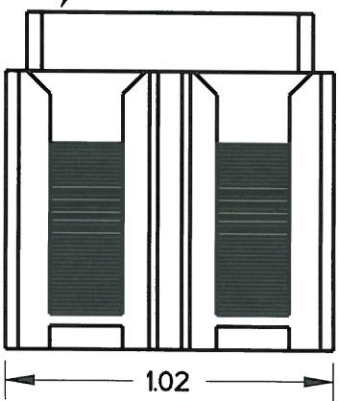
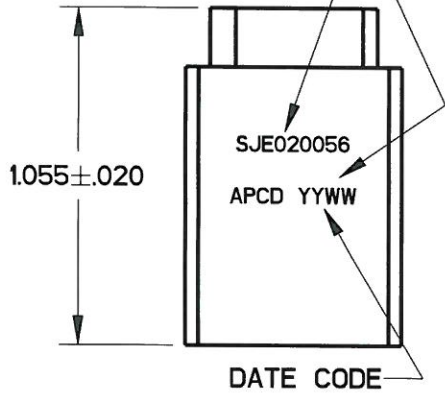
REV	ECN	APP'D
-	6472	<i>JS 4/20/10</i>

CIRCUIT LAYOUT



IDENTIFICATION MARKING

SEALING GROMMET



NOTES:

- MATERIALS:
 BODY: POLYETHERIMIDE PER ASTM-D5205.
 GROMMET: SILICONE BLEND ELASTOMER.
 DIODE: JANTX1N5618, QTY: 6.
 INTERNAL PIN CONTACT:
 COPPER ALLOY, HARD GOLD PLATE PER MIL-DTL-45204.
- PERFORMANCE SPECIFICATION PER MIL-T-81714.
 (SUBJECT TO LIMITATIONS OF THE ELECTRONIC COMPONENTS)
 TEMPERATURE: -65°C TO 200°C.
 INSULATION RESISTANCE: 5000 MEGOHMS MIN AT 25°C.
 DIELECTRIC WITHSTANDING VOLTAGE:
 1500 VRMS AT SEA LEVEL,
 AND 200 VRMS AT 100,000 FT. ALTITUDE.
 CURRENT RATING: 7.5A FOR SIZE 20 CONTACTS.
 VIBRATION AND SHOCK: PER MIL-T-81714 PARA 3.5.8 & 9.
- MODULE ACCEPTS SOCKET CONTACTS (15) M39029/22-192.
- MODULE TO BE MOUNTED ON M81714/67 RAIL SYSTEM.

DIMENSIONS ANSI Y14.5M UNITS: INCHES Pro/E FILE	TOLERANCES .XX ±0.01 .XXX ±0.005 ANGLES ±1.0°	PROJECTION 	Amphenol Pcd SPECIFICATION DRAWING		TITLE SJE SERIES ELECTRONIC MODULE (6) JANTX1N5618		
			ENGR M. DiGIACOMO 1/28/09		SIZE A	DWG NO. SJE020056	REV -
ORIGINAL 	THIS DOCUMENT CONTAINS PROPRIETARY INFORMATION WHICH IS THE CONFIDENTIAL PROPERTY OF AMPHENOL PCD BEVERLY, MA, USA		CHKD <i>Rid Neman 4/21/10</i>	APRD <i>JS 4/20/10</i>	CODE: 58982	SCALE: 5:3	SHEET 1 OF 1