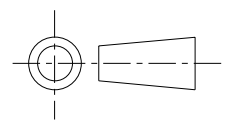


ISS.	DATE	E.C.N.	DESCRIPTION
1	17-Aug-06		FIRST ISSUE

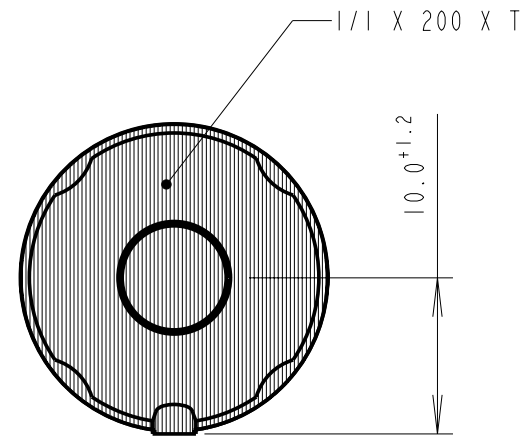
© 2006 CARCLO
ALL DIMENSIONS IN mm



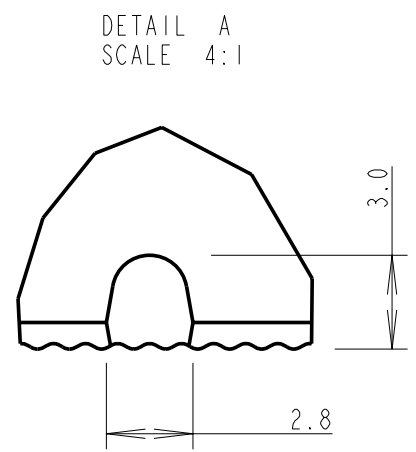
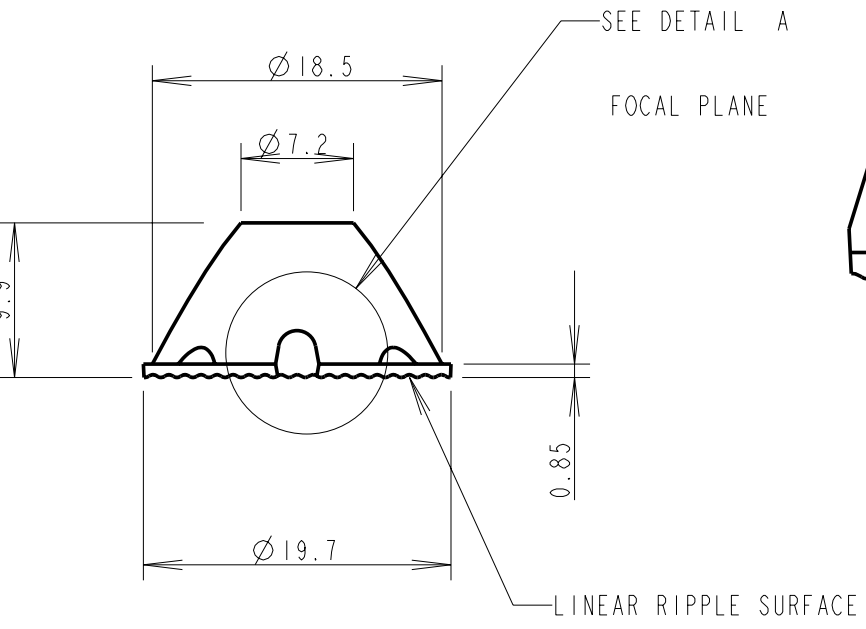
CARCLO TECHNICAL PLASTICS (SLOUGH)
111 BUCKINGHAM AVE, SLOUGH
SL1 4PF, ENGLAND
TEL: +44 1753 575011 FAX: +44 1753 811359
e-mail: design@carclo-optics.com

- NOTES:
1. MATERIAL - UV STABILISED POLYCARBONATE
2. INCLUSIONS SPECIFIED TO BS4301

CUSTOMER DRAWING



3D VIEW
SCALE 1:1



GENERAL TOLERANCES (UNLESS STATED)

LINEAR	ANGULAR
X +/- 0.25	X +/- 1°
X.X +/- 0.1	X.X +/- 0.5°
X.XX +/- 0.05	X.XX +/- 0.1°

CUSTOMER		
CARCLO		
TITLE		
ORTHOGONAL LINEAR 0.8MM OFFSET FOCUS 20MM DIA OPTIC		
DRAWN	DATE	
AJD	17-Aug-06	
CHK'D	DATE	
APP'D	DATE	
SCALE	CARCLO PART No.	
2:1	10198	
SIZE	CARCLO DRG. No.	SHEET
A4	60433	2 OF 2