

THIS DRAWING IS UNPUBLISHED.

RELEASED FOR PUBLICATION

ALL RIGHTS RESERVED.

© COPYRIGHT - By -

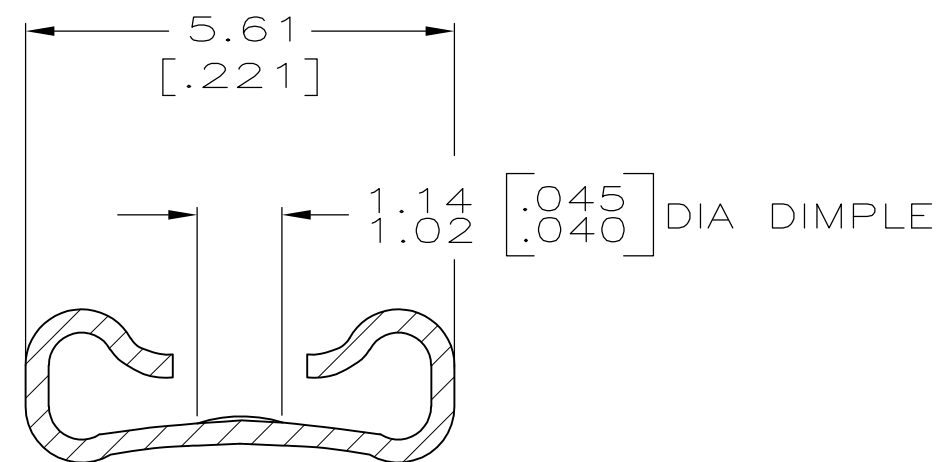
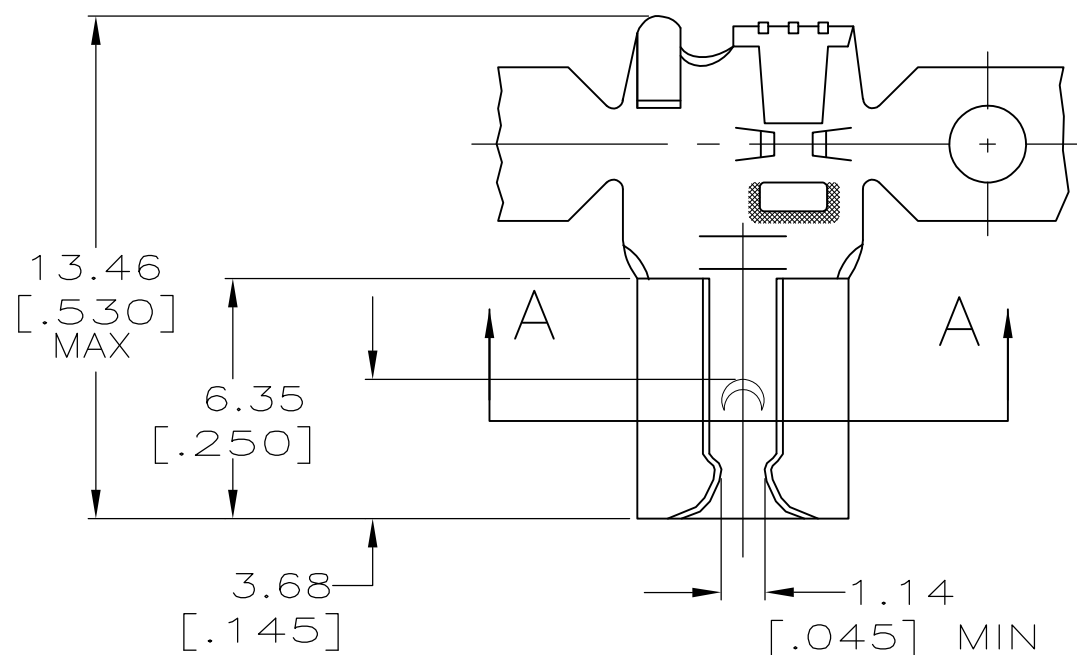
LOC
AF

DIST
50

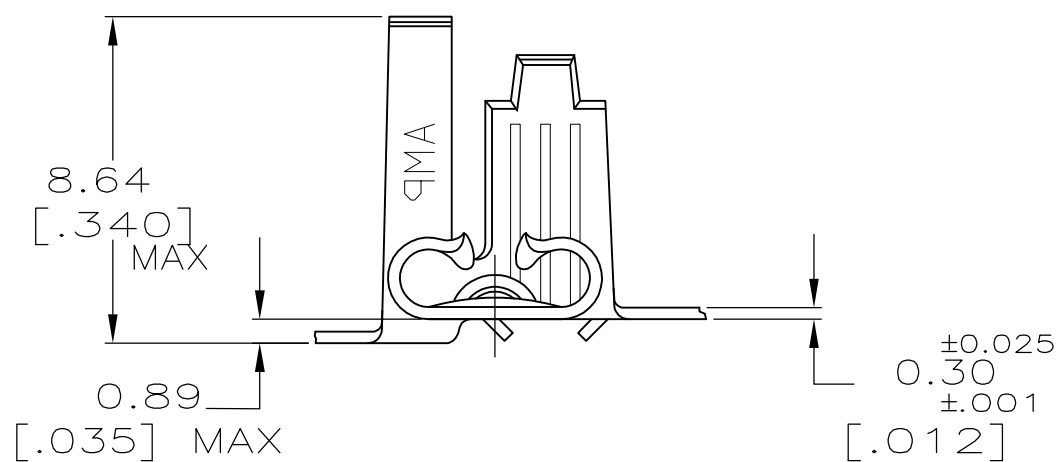
REVISIONS

P	LTR	DESCRIPTION	DATE	DWN	APVD
	F	REVISED PER ECR-12-013459	28NOV2012	KH	PD


- CONTINUOUS STRIP ON REELS.
- MATING TAB THK IS 0.51 ± 0.025 $[\pm 0.001]$.
- WIRE SIZE IS # $[20-16]$ AWG
- INSULATION RANGE IS 2.79-4.32 $[\pm 0.110-.170]$ DIA.



SECTION A-A
SCALE 10:1



TIN	61029-2
-	61029-1
FINISH	PART NO.

THIS DRAWING IS A CONTROLLED DOCUMENT.		DWN JR RUTH 1/9/97	 TE Connectivity		
DIMENSIONS: mm [INCHES]		CHK MS FEHER 1/9/97			
TOLERANCES UNLESS OTHERWISE SPECIFIED:		APVD P DESANTIS 1/9/97	NAME RECEPTACLE, FASTON, 4.75 [.187] SERIES		
0 PLC ± - 1 PLC ± - 2 PLC ± 0.38 [.015] 3 PLC ± - 4 PLC ± - ANGLES ± -		PRODUCT SPEC -	APPLICATION SPEC -		
MATERIAL BRASS	FINISH SEE TABLE	WEIGHT -	SIZE A3	CAGE CODE 00779	DRAWING NO C-61029
CUSTOMER DRAWING			SCALE 5:1	SHEET 1 OF 1	REV F